



**SUBMITTAL SHEET**

**BRS09HPL11A**



**BRS09HPL10A**

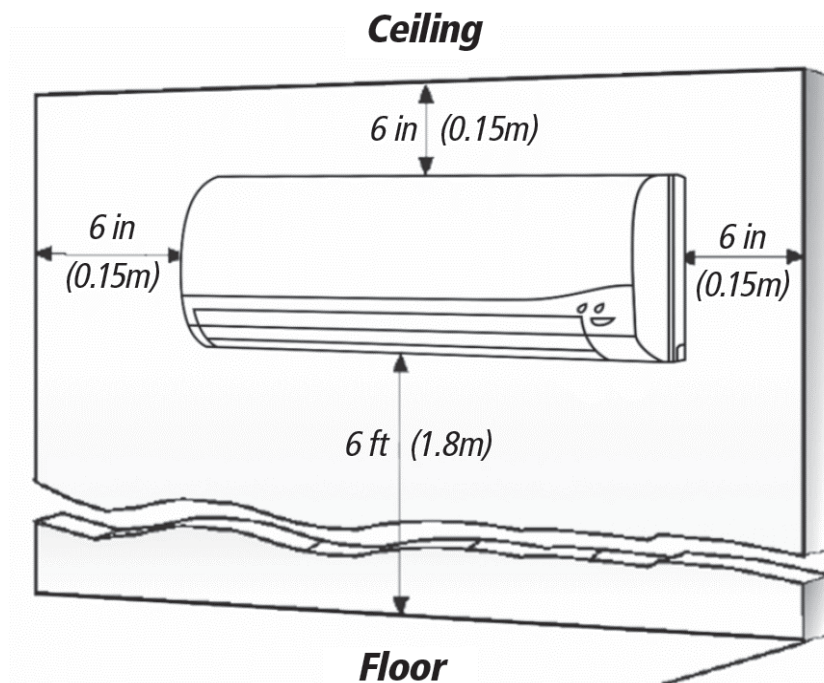


Indoor Model	-	<b>BRS09HPL11A</b>
Outdoor Model	-	<b>BRS09HPL10A</b>
Cooling Capacity	Btu/H	9000
Cooling Capacity Range	Btu/H	2764 - 9724
Heating Capacity	Btu/H	9500
Heating Capacity Range	Btu/H	2081 - 12283
SEER	-	18
EER	-	9.55
HSPF	-	9
COP	-	3
Air Flow Volume Turbo/ Hi / Med / Lo	CFM	318 / 288 / 241 / 171
Sound Pressure Level Cooling	dB(A)	43 / 38 / 34 / 28
Sound Pressure Level Heating	dB(A)	43 / 38 / 34 / 28
Dehumidification	50	1.69
Power Supply	V/PH/ HZ	115 / 1 / 60
Refrigerant Charge	oz	25
MCA	A	17
MOCP	A	25
Liquid Pipe	in	1/4
Gas Pipe	in	3/8
Connection Method	-	Flare
Refrigerant	-	410A
Compressor Type	-	2-Stage Rotary Inverter
Fan Motor Type-Indoor	-	Crossflow
Sound Pressure Outdoor Unit	dB(A)	51
Outdoor Unit Charge Pipe Length	ft	25
Minimum Pipe Length	ft	10
Maximum Pipe Length	ft	66
Maximum Refrigerant Pipe Elevation	ft	33
Condenser Fin Coating Color	-	Blue
Operating Temperature Range -Clg	F	0° - 115°
Operating Temperature Range -Htg	F	-4° - 75°
AHRI Certification	No.	205758352
ETL Listed	-	YES

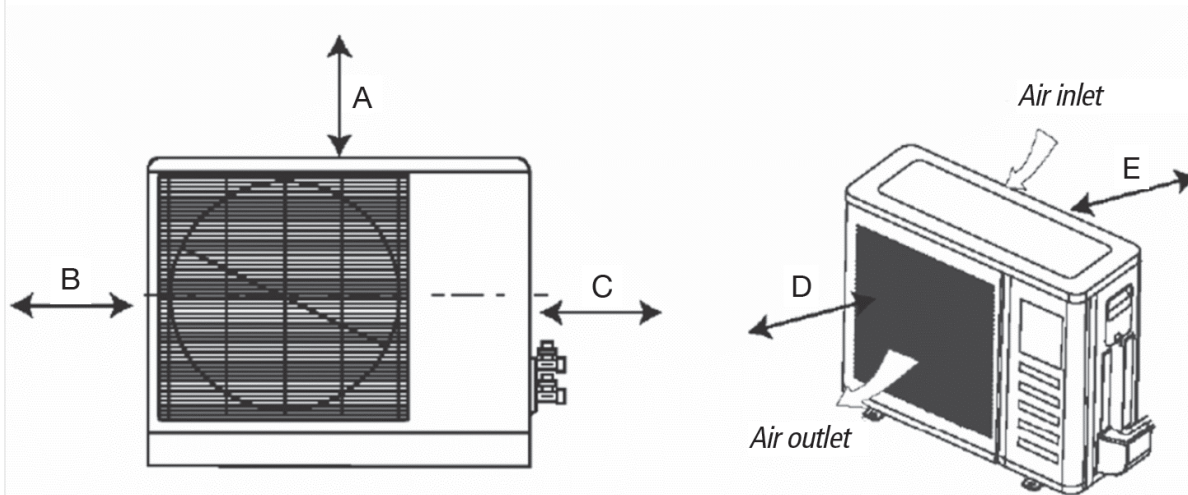
## MINIMUM SPACING REQUIREMENTS

### INDOOR UNITS

Units: inch (m)



### Minimum Outdoor Clearances



A	20 (500)
B	12 (305)
C	20 (500)
D	78 (1980)
E	12 (305)

Units: inch (mm)

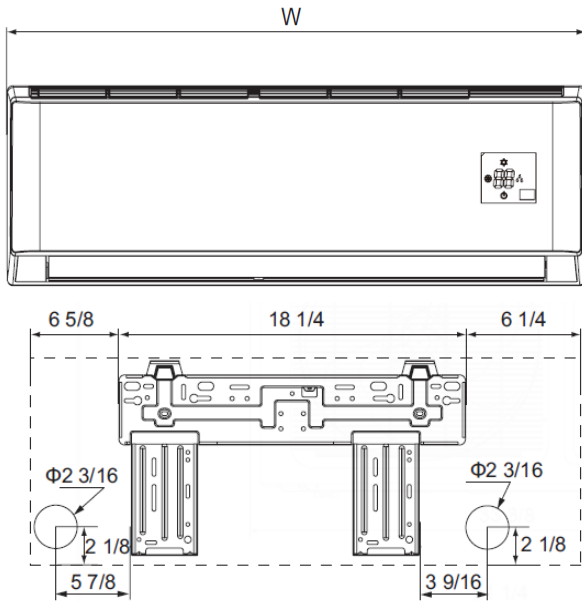
## DIMENSIONS

## BRS09HPL1

### INDOOR UNIT DIMENSIONS

Units: inch

Model: BRS09HPL1IA



#### Dimensions

w	31 $\frac{1}{8}$
H	10 $\frac{3}{4}$
D	7 $\frac{7}{8}$

Weight (Net/Gross) 19.8/24.3 lbs

Liquid Line Valve 1/4-in OD Flared

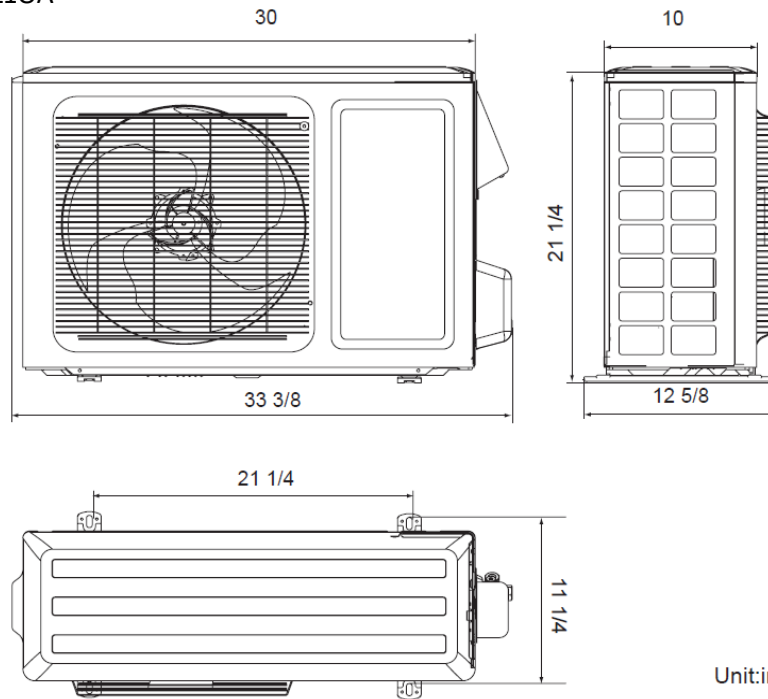
Gas Line Valve 3/8-in OD Flared

Drain Connector 5/8-in OD

### OUTDOOR UNIT DIMENSIONS

Units: inch

Model: BRS09HPL1OA



Unit: inch

Weight (Net/Gross) 62.8 / 68.4 lbs

Liquid Line Valve 1/4-in OD Flared

Gas Line Valve 3/8-in OD Flared

#### Notes:

1. Recommended Interconnecting Cable Type 14 AWG 4 Stranded Copper Conductors THHN 600V Wire
2. Power wiring cable size must comply with applicable national and local codes.
3. Test conditions are based on AHRI 210/240.

Specifications are subject to change without notice. Manufacturer reserves the right to discontinue or modify specifications or designs without notice or without incurring obligations. All rights reserved.