



SUBMITTAL SHEET

BRS12HPL11A



BRS12HPL10A

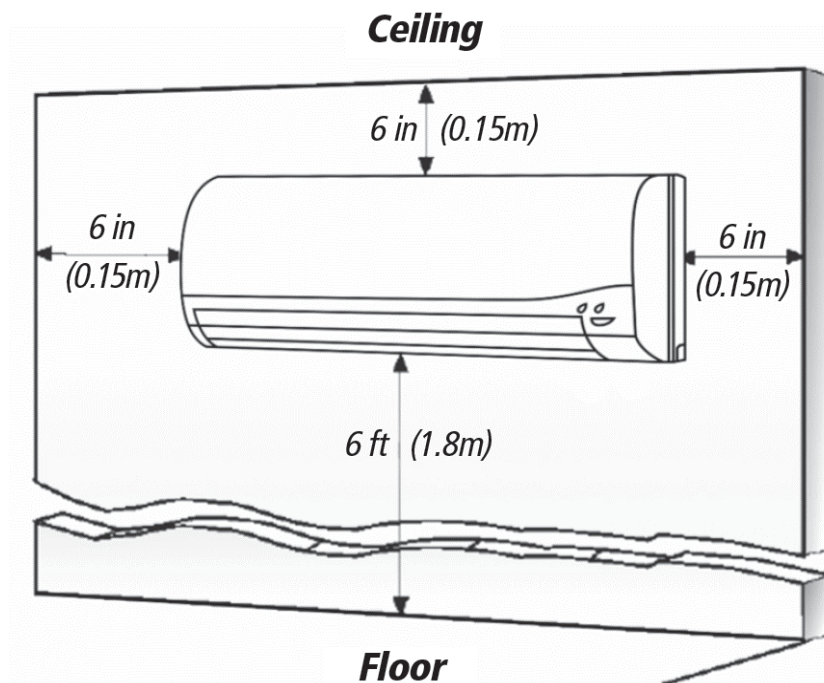


Indoor Model	-	BRS12HPL11A
Outdoor Model	-	BRS12HPL10A
Cooling Capacity	Btu/H	12000
Cooling Capacity Range	Btu/H	3753 - 12500
Heating Capacity	Btu/H	13000
Heating Capacity Range	Btu/H	3412 - 15013
SEER	-	18
EER	-	10.05
HSPF	-	9
COP	-	3.05
Air Flow Volume Turbo/ Hi / Med / Lo	CFM	400 / 318 / 241 / 194
Sound Pressure Level Cooling	dB(A)	45 / 39 / 35 / 29
Sound Pressure Level Heating	dB(A)	45 / 39 / 35 / 29
Dehumidification	50	2.96
Power Supply	V/PH/ HZ	115 / 1 / 60
Refrigerant Charge	oz	31.8
MCA	A	17
MOCP	A	25
Liquid Pipe	in	1/4
Gas Pipe	in	3/8
Connection Method	-	Flare
Refrigerant	-	410A
Compressor Type	-	2-Stage Rotary Inverter
Fan Motor Type-Indoor	-	Crossflow
Sound Pressure Outdoor Unit	dB(A)	53
Outdoor Unit Charge Pipe Length	ft	25
Minimum Pipe Length	ft	10
Maximum Pipe Length	ft	98
Maximum Refrigerant Pipe Elevation	ft	49
Condenser Fin Coating Color	-	Blue
Operating Temperature Range -Clg	F	0° - 115°
Operating Temperature Range -Htg	F	-4° - 75°
AHRI Certification	No.	205758351
ETL Listed	-	YES

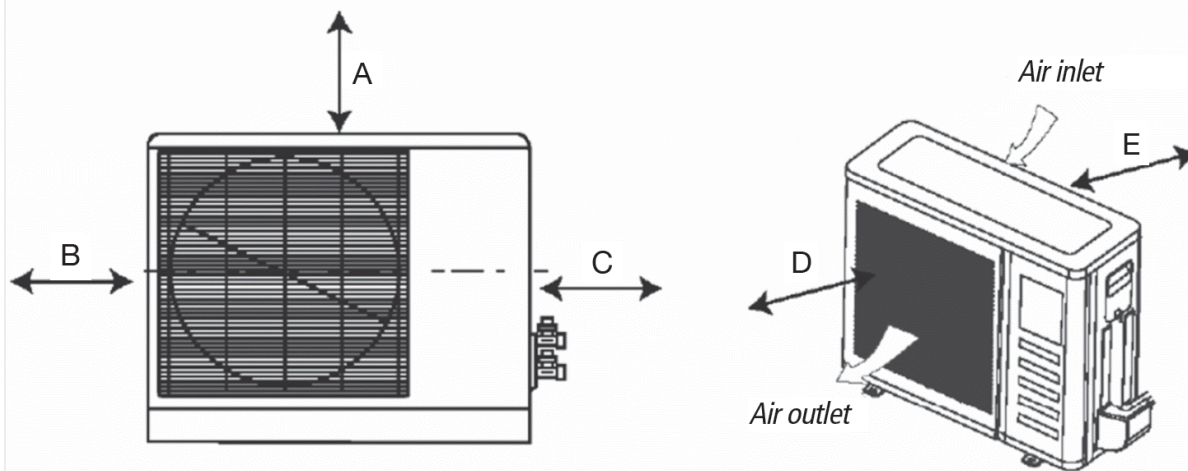
MINIMUM SPACING REQUIREMENTS

INDOOR UNITS

Units: inch (m)



Minimum Outdoor Clearances



A	20 (500)
B	12 (305)
C	20 (500)
D	78 (1980)
E	12 (305)

Units: inch (mm)

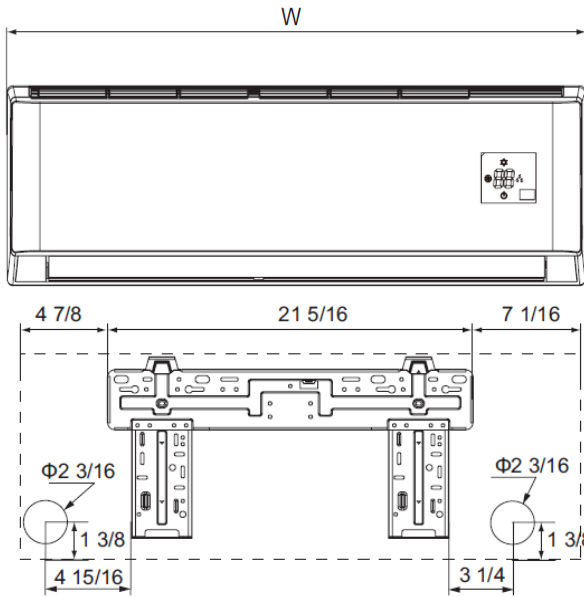
DIMENSIONS

BRS12HPL1

INDOOR UNIT DIMENSIONS

Units: inch

Model: BRS12HPL1IA



Dimensions

w	31 1/8
H	10 3/4
D	7 7/8

Weight (Net/Gross) 23.2/27.6 lbs

Liquid Line Valve 1/4-in OD Flared

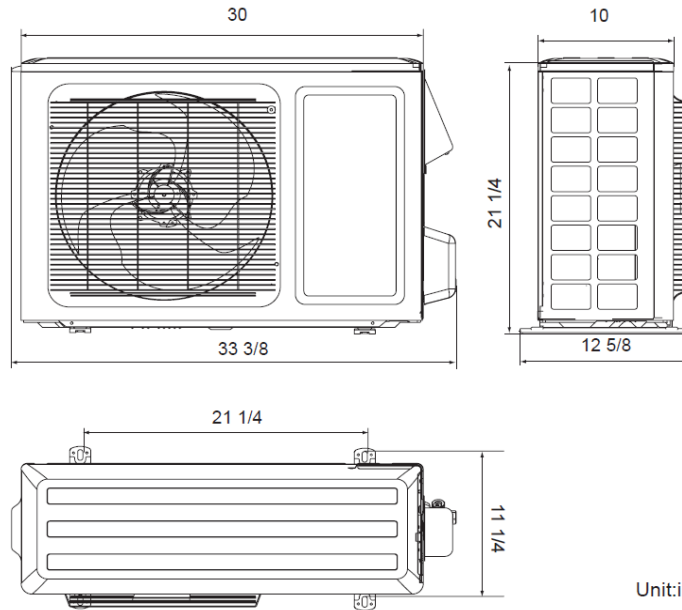
Gas Line Valve 3/8-in OD Flared

Drain Connector 5/8-in OD

OUTDOOR UNIT DIMENSIONS

Units: inch

Model: BRS12HPL1OA



Unit:inch

Weight (Net/Gross) 67.3 / 72.8 lbs

Liquid Line Valve 1/4-in OD Flared

Gas Line Valve 3/8-in OD Flared

Notes:

1. Recommended Interconnecting Cable Type 14 AWG 4 Stranded Copper Conductors THHN 600V Wire
2. Power wiring cable size must comply with applicable national and local codes.
3. Test conditions are based on AHRI 210/240.

Specifications are subject to change without notice. Manufacturer reserves the right to discontinue or modify specifications or designs without notice or without incurring obligations. All rights reserved.