

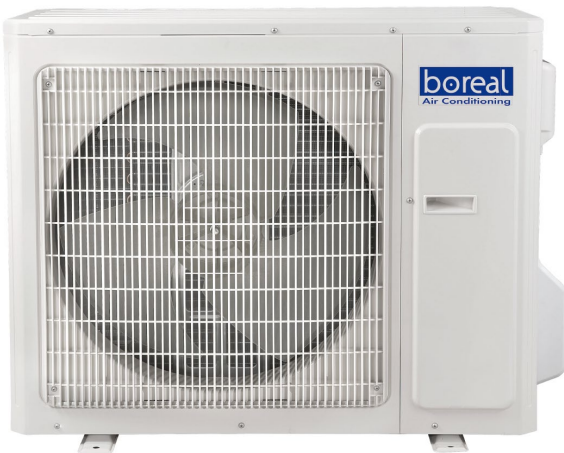


SUBMITTAL SHEET

BRS36HPJ1IA



BRS36HPJ1OA

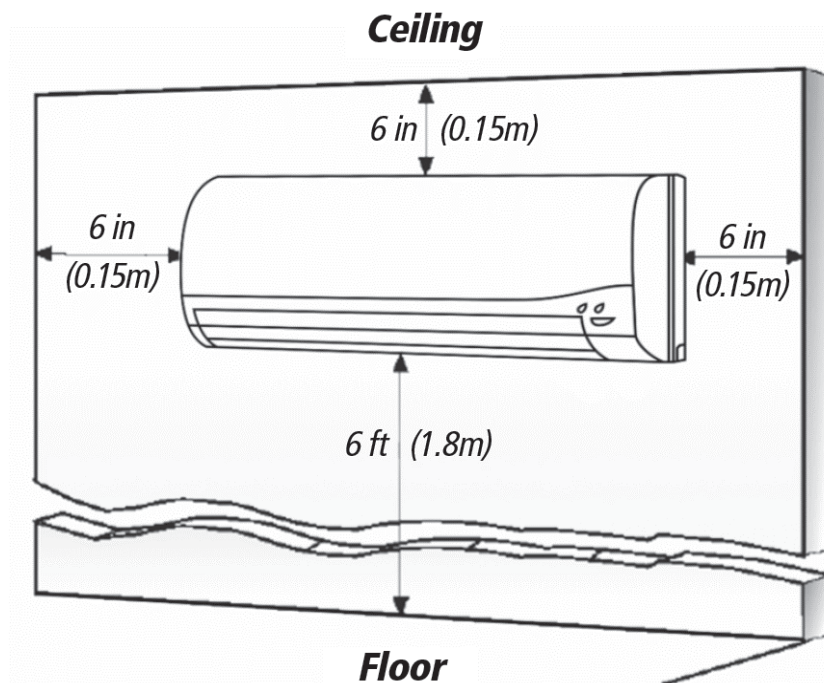


Indoor Model	-	BRS36HPJ1IA
Outdoor Model	-	BRS36HPJ1OA
Cooling Capacity	Btu/H	33600
Cooling Capacity Range	Btu/H	5951 - 36000
Heating Capacity	Btu/H	34600
Heating Capacity Range	Btu/H	8530 - 37020
SEER	-	18
EER	-	9.2
HSPF	-	9
COP	-	2.8
Air Flow Volume Turbo/ Hi / Med / Lo	CFM	677 / 588 / 471 / 412
Sound Pressure Level Cooling	dB(A)	49 / 45 / 41 / 37
Sound Pressure Level Heating	dB(A)	49 / 45 / 41 / 37
Dehumidification		50 / 7.4
Power Supply	V/PH/ HZ	208-230 / 1 / 60
Refrigerant Charge	oz	88.2
MCA	A	24
MOCP	A	35
Liquid Pipe	in	1/4
Gas Pipe	in	5/8
Connection Method	-	Flare
Refrigerant	-	410A
Compressor Type	-	2-Stage Rotary Inverter
Fan Motor Type-Indoor	-	Crossflow
Sound Pressure Outdoor Unit	dB(A)	61
Outdoor Unit Charge Pipe Length	ft	25
Minimum Pipe Length	ft	10
Maximum Pipe Length	ft	82
Maximum Refrigerant Pipe Elevation	ft	33
Condenser Fin Coating Color	-	Blue
Operating Temperature Range -Clg	F	0° - 115°
Operating Temperature Range -Htg	F	-4° - 75°
AHRI Certification	No.	205758358
ETL Listed	-	YES

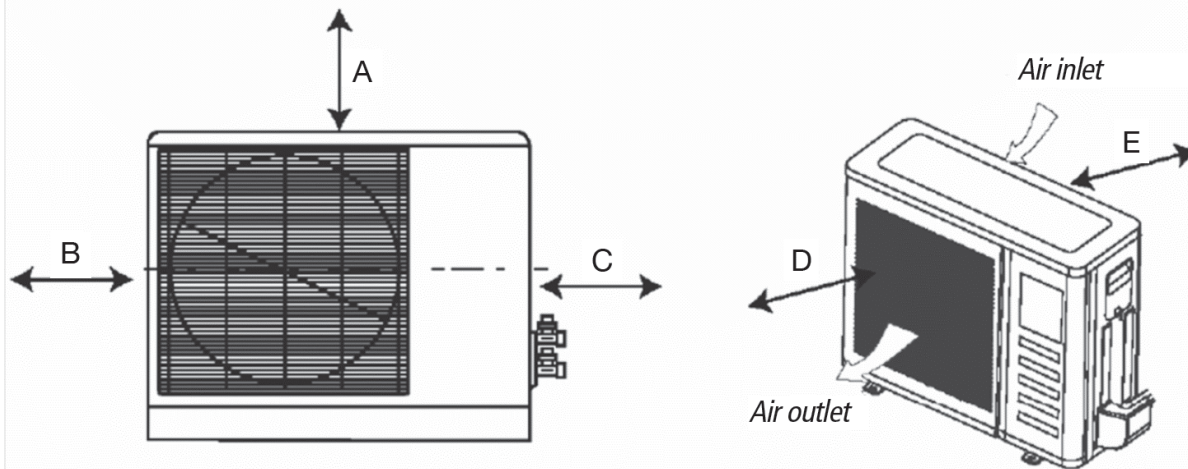
MINIMUM SPACING REQUIREMENTS

INDOOR UNITS

Units: inch (m)



Minimum Outdoor Clearances



A	20 (500)
B	12 (305)
C	20 (500)
D	78 (1980)
E	12 (305)

Units: inch (mm)

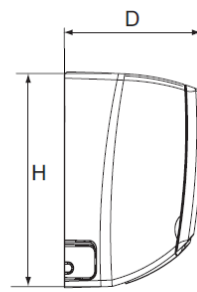
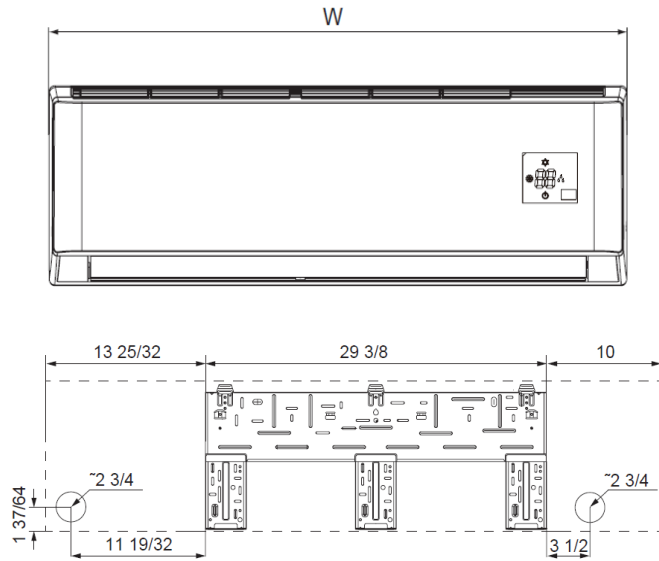
DIMENSIONS

BRS36HPJ1

INDOOR UNIT DIMENSIONS

Units: inch

Model: BRS36HPJ1IA



Dimensions

w	53 9/64
H	12 53/64
D	9 15/16

Weight (Net/Gross) 44.1 / 54 lbs

Liquid Line Valve 1/4-in OD Flared

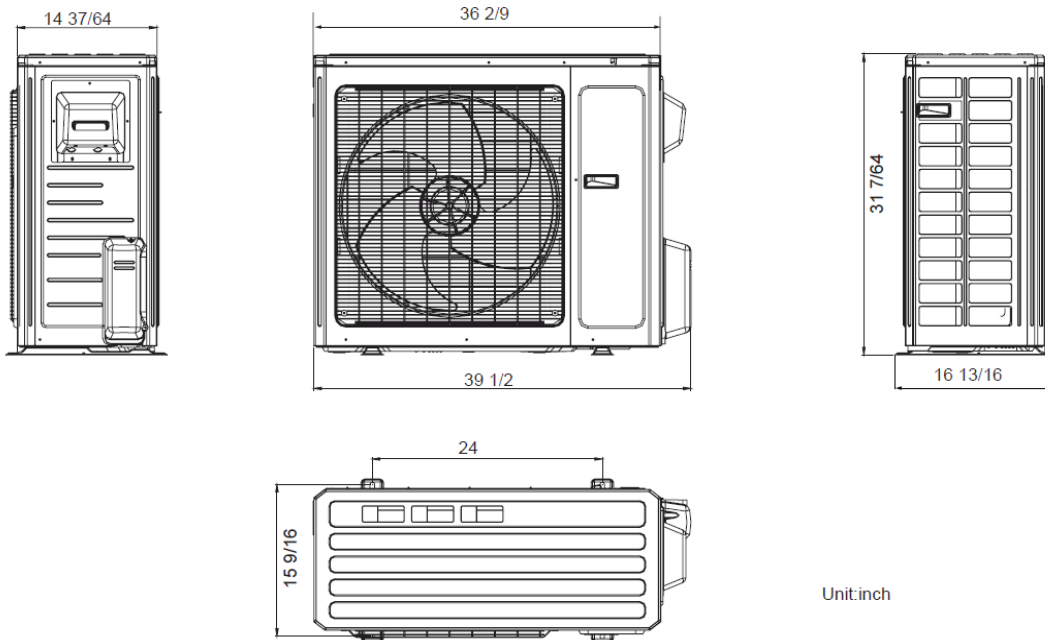
Gas Line Valve 5/8-in OD Flared

Drain Connector 5/8-in OD

OUTDOOR UNIT DIMENSIONS

Units: inch

Model: BRS36HPJ1OA



Unit: inch

Weight (Net/Gross) 140 / 151 lbs

Liquid Line Valve 1/4-in OD Flared

Gas Line Valve 5/8-in OD Flared

Notes:

1. Recommended Interconnecting Cable Type 14 AWG 4 Stranded Copper Conductors THHN 600V Wire
2. Power wiring cable size must comply with applicable national and local codes.
3. Test conditions are based on AHRI 210/240.

Specifications are subject to change without notice. Manufacturer reserves the right to discontinue or modify specifications or designs without notice or without incurring obligations. All rights reserved.