

Job Name	Location	Date
Purchaser	Engineer	
Submitted To	For	<input type="checkbox"/> Reference <input type="checkbox"/> Approval <input type="checkbox"/> Construction
Unit Designation	Schedule No.	

Submittal: MBRS18HPJ10A

18,000 BTU/H MULTI-ZONE Wall Mounted Heat- Pump System



Indoor System

Non-Ducted Indoor Match with BRS Indoor Units Only

Rated Cooling Capacity	18,000 BTUH
Cooling Capacity (min-max)	7,000-21,000 BTUH
Rated Heating Capacity	19,000 BTUH
Heating Capacity (min-max)	8,530-22,600 BTUH
SEER/EER	22.0/12.5
HSPF/COP	11.0/3.7

Outdoor Unit Data

Compressor Style	Inverter Driven Rotary	
	RLA	10.8
Compressor Crankcase and Base Pan Heaters		
Fan Motor		
	Output Power	60 W
	FLA	0.6 A
	Air Flow (Max)	1883 CFM
Sound Levels		
Cooling	dB(A)	56
Heating	dB(A)	56
Dimensions & Weights		
Unit Dimensions (LxHxD)	38.0 x 27.6 x 15.6 -in	
Weight (Net/Shipping)	114.4/124.3 lbs	
Min. Number of Indoor Units	2	
Max. Number of Indoor Units	2	
Operating Range		
Cooling	(min-max)	0° ~ 118°F
		-18° ~ 48°C
Heating	(min-max)	-5° ~ 86°F
		-21° ~ 30°C

OPERATIONAL CHARACTERISTICS

- Dual Indoor Units (2-Port)
- EnergyStar Rated
- Inverter Technology
- Quiet Operation - Both Indoor & Outdoor
- Anti-Corrosion Coil Protection
- Intelligent Defrost
- Auto Restart on Power Outages
- Multit-point Diagnostics
- Limited 3 Yr Parts / 5 Yr Compressor Warranty



AHRI Certified Ref No: [205818828](#) (non-ducted)

Power Supply

Normal Operational Voltage	208/230 V, 1 Phase, 60 Hz
Voltage Range	187 - 253 V
Main Power Wire Size	12-2 AWG
Interconnecting Cable Wire Size	14-4 AWG
MCA	16.0 A
MOCP/Breaker Size	25 A

Refrigerant Piping Data

Refrigerant Type	R410A
Refrigerant Charge	56.4 oz
Additional Charge Per Line Length	0.21-oz/ft
Connection Method	Flared
Factory Charge for Total Line Length	33-ft
Total Refrigerant Pipe Length	65-ft
Max Refrigerant Piping Length to any Indoor Unit	33-ft
Min Refrigerant Piping Length to any Indoor Unit	10-ft
Max Elevation between Indoor Units	33-ft
Max Lift from Outdoor to Indoor Unit	33-ft
Max Drop from Outdoor to Indoor Unit	33-ft



SYSTEM FEATURES	
Inverter / Compressor Type	Inverter Rotary
Ultra Low Frequency Torque Control	YES
Power Factor Correction	YES
Refrigerant Type	R410A
Basepan With Electric Heater	YES
Compressor With Electric Heater	YES
Condenser Fan	Axial
Condenser Motor Type	DC
Condenser Motor Drive	Direct
Condenser Coil	Aluminum Fin/Copper Tube
Outdoor Fin Coating (Blue)	Acrylic Resin
Intelligent Defrosting	YES
Low Voltage Startup	YES
Memory/Power Failure Recovery	YES
Self Diagnosis	YES
Low Ambient Cooling	YES

REMOTE CONTROLLER FUNCTIONS¹	See individual Indoor Unit Controllers Functions
--	---

¹ Not all Remote Controller functions are supported.

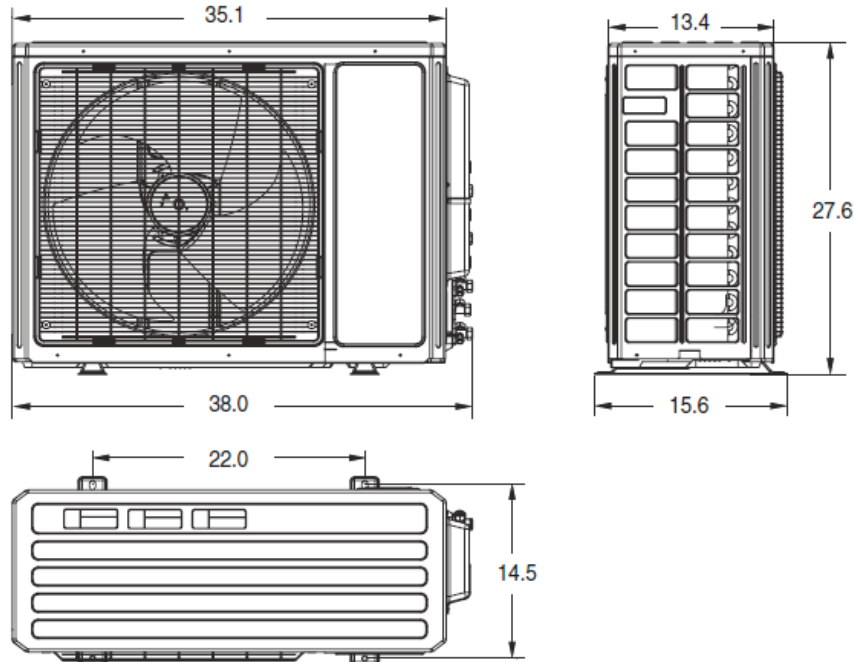
DIMENSIONAL SPECIFICATIONS

MBRS18HPJ10A

Units: inch

18,000 BTUH MODEL

Model # MBRS18HPJ10A 18,000 BTUH 230V



Suction/Gas Line Port Size

Port A	3/8-in OD Flared
Port B	3/8-in OD Flared

Liquid Line Port Size

Port A	1/4-in OD Flared
Port B	1/4-in OD Flared

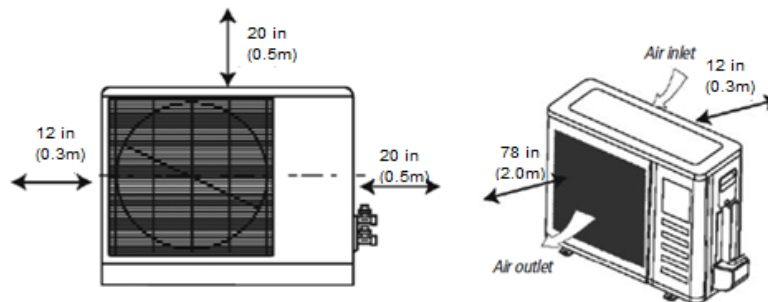
Weight (Net/Shipping)	114.4/124.3 lbs
-----------------------	-----------------

Factory Supplied Piping Adapters

Adapter	P/N	Qty
3/8 (F) to 1/2 (M)	6643008	2

MINIMUM SPACING REQUIREMENTS

Units: inch (m)



Notes:

1. Recommended Interconnecting Cable Type Stranded Copper Conductors THHN 600V Unshielded Wire
2. Power wiring cable size must comply with applicable national and local codes.
3. Test conditions are based on AHRI 210/240.

Specifications are subject to change without notice. Manufacturer reserves the right to discontinue or modify specifications or designs without notice or without incurring obligations. All rights reserved.

COOLING CAPACITY (BTUH)

Indoor Units Combinations	Rated System Capacity (BtuH)	Indoor Unit A (BtuH)	Indoor Unit B (BtuH)	Indoor Unit C (BtuH)	Indoor Unit D (BtuH)
9K	18,000	9,000	NA	NA	NA
12K	21,000	12,000	NA	NA	NA
9K+9K	18,000	9,000	9,000	NA	NA
9K+12K	18,000	9,000	12,000	NA	NA

HEATING CAPACITY (BTUH)

Indoor Units Combinations	Rated System Capacity (BtuH)	Indoor Unit A (BtuH)	Indoor Unit B (BtuH)	Indoor Unit C (BtuH)	Indoor Unit D (BtuH)
9K	19,000	9,500	NA	NA	NA
12K	19,000	13,000	NA	NA	NA
9K+9K	19,000	9,500	9,500	NA	NA
9K+12K	19,000	70,000	12,000	NA	NA

Capacity data is based on the following conditions :

Cooling Nominal Test Conditions

Indoor: 80°F DB/67°F WB

Outdoor: 95°F DB/75°F WB

Heating Nominal Test Conditions

Indoor: 70°F DB/60°F WB

Outdoor: 47°F DB/43°F W

COOLING PERFORMANCE

DB WB		Indoor Ambient Temperature											
		70°F (21°C) 59°F (15°C)			75°F (24°C) 63°F (17°C)			80°F (27°C) 67°F (19°C)			90°F (32°C) 73°F (23°C)		
		TC (BtuH)	SC (BtuH)	Input Power (watts)	TC (BtuH)	SC (BtuH)	Input Power (watts)	TC (BtuH)	SC (BtuH)	Input Power (watts)	TC (BtuH)	SC (BtuH)	Input Power (watts)
Outdoor Ambient Temperature (DB)	-4°F (-18°C)	10,850	8,510	700	12,230	9,600	740	12,930	10,140	770	14,570	11,430	820
	5°F (-15°C)	11,120	8,720	700	12,550	9,840	750	13,420	10,530	770	14,940	11,720	820
	14°F (-10°C)	11,480	9,010	720	12,950	10,160	760	13,690	10,740	790	15,430	12,100	850
	23°F (-5°C)	12,580	9,870	720	14,330	11,240	760	15,420	12,090	790	16,960	13,300	840
	32°F (0°C)	13,226	10,375	719	15,064	11,814	763	15,489	12,143	789	17,829	13,989	841
	41°F (5°C)	13,905	10,907	756	15,836	12,419	802	16,283	12,766	829	18,743	14,707	884
	50°F (10°C)	14,484	11,361	788	16,496	12,937	835	16,961	13,298	864	19,524	15,319	921
	59°F (15°C)	15,260	11,970	830	17,380	13,630	880	17,870	14,010	910	20,570	16,140	970
	68°F (20°C)	17,281	13,553	1,221	18,361	14,398	1,260	19,621	15,389	1,337	22,501	17,650	1,430
	77°F (25°C)	17,077	13,395	1,254	18,163	14,246	1,293	19,441	15,249	1,375	22,321	17,504	1,474
	86°F (30°C)	16,235	12,733	1,403	17,317	13,584	1,447	18,901	14,824	1,535	21,631	16,963	1,645
	95°F (35°C)	15,367	12,052	1,507	16,441	12,891	1,551	18,001	14,119	1,650	20,719	16,252	1,766
	104°F (40°C)	14,623	11,469	1,557	15,691	12,307	1,606	17,533	13,754	1,705	19,975	15,662	1,826
	113°F (45°C)	13,873	10,879	1,590	14,941	11,718	1,639	16,789	13,164	1,744	19,225	15,079	1,865
118°F (48°C)	13,501	10,587	1,606	14,401	11,292	1,656	16,201	12,709	1,760	18,541	14,544	1,881	

HEATING PERFORMANCE

DB WB		Indoor Ambient Temperature											
		70°F (21°C) 59°F (15°C)			75°F (24°C) 63°F (17°C)			80°F (27°C) 67°F (19°C)			90°F (32°C) 73°F (23°C)		
		TC (BtuH)	Input Power (watts)	COP	TC (BtuH)	Input Power (watts)	COP	TC (BtuH)	Input Power (watts)	COP	SC (BtuH)	Input Power (watts)	COP
Outdoor Ambient Temperature (DB)	-5°F (-21°C)	10,865	1,061	3.00	10,656	1,087	2.87	10,325	1,112	2.72	9,968	1,146	2.55
	0°F (-18°C)	11,121	1,095	2.98	10,800	1,117	2.83	10,598	1,158	2.68	10,319	1,185	2.55
	5°F (-15°C)	11,428	1,119	2.99	11,099	1,142	2.85	10,891	1,184	2.69	10,606	1,212	2.56
	7°F (-14°C)	11,736	1,144	3.01	11,397	1,167	2.86	11,184	1,210	2.71	10,893	1,238	2.58
	17°F (-8°C)	12,597	1,193	3.09	12,229	1,217	2.94	11,997	1,262	2.78	11,683	1,291	2.65
	28°F (-2°C)	14,230	1,271	3.28	13,856	1,297	3.13	13,458	1,345	2.93	13,298	1,376	2.83
	38°F (3°C)	17,693	1,463	3.54	17,319	1,492	3.40	16,927	1,548	3.20	16,761	1,583	3.10
	47°F (8°C)	19,997	1,522	3.85	19,392	1,553	3.66	19,006	1,610	3.46	18,483	1,647	3.29
	57°F (14°C)	20,657	1,551	3.90	20,033	1,583	3.71	19,635	1,641	3.50	19,089	1,679	3.33
	68°F (20°C)	21,490	1,600	3.93	20,840	1,640	3.72	20,430	1,700	3.52	19,860	1,740	3.34
	77°F (25°C)	21,990	1,640	3.93	21,330	1,680	3.72	20,900	1,740	3.52	20,320	1,780	3.34

LEGEND

- DB --- Dry Bulb
- WB --- Wet Bulb
- TC --- Total Capacity (BtuH)
- SC --- Sensible Capacity (BtuH)
- Input Power---(Watts)
- COP---Coefficient Of Performance

Specifications are subject to change without notice. Manufacturer reserves the right to discontinue or modify specifications or designs without notice or without incurring obligations. All rights reserved.

- 1. SEE INDIVIDUAL INDOOR UNIT
SUBMITTALS FOR DIMENSIONS**
- 2. LINE SETS MUST BE SIZED TO
INDOOR UNIT CONNECTIONS**
- 3. PERFORMANCE RATINGS OF
SYSTEMS ARE BASED ON THE
OUTDOOR UNIT
(SEE PAGE 1 AND AHRI SYSTEM DOCUMENTS)**