

SUBMITTAL DATA

ENVBR36C / ENVBR36HPJ10A
36000 BTU/H A-Coil for Unitary Heat Pump Split System

Job Name

Location

Date

Purchaser

Engineer

Submitted to

For

Unit Designation

Schedule No.



ENVBR36C



ENVBR36HPJ10A

GENERAL FEATURES

- AHRI Certificate: [212436230](#)
- High Efficiency DC Inverter Technology
- Compact and Quiet 57 dB(A) Side Discharge Outdoor Unit
- 24VAC Thermostat Compatible
- Zero Lot Line Design
- Match with Competitive Furnace
- Designed for New Construction or Replacement Market
- Low Ambient Cooling down to 5°F (-15°C)
- Low Ambient Heating down to -22°F (-30°C)
- Coil (Outdoor) Copper Tube/Aluminum Fin with Anti-Corrosion Coil Coating (Gold Colored Fin - 1500Hr Salt Spray Rating)
- Coil (Indoor) Copper Tube/Aluminum Fin with Anti-Corrosion Coil Coating (Blue Colored Fin - 500Hr Salt Spray Rating)

SPECIFICATIONS, FEATURES & FUNCTION SUMMARY

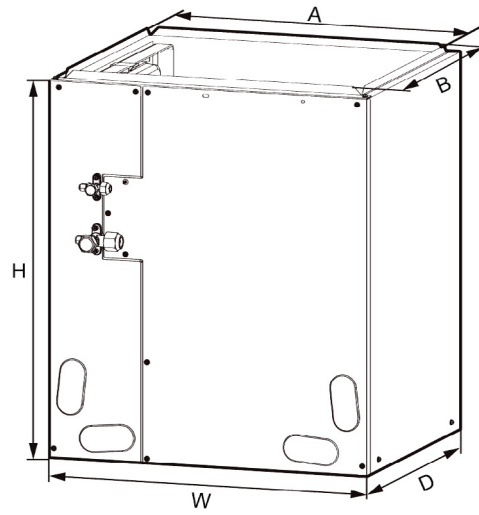
SPECIFICATIONS		ENVBR36C / ENVBR36HPJ10A		FEATURES & FUNCTIONS SUMMARY		ENVBR36C / ENVBR36HPJ10A	
System Type		HEAT PUMP					
SYSTEM PERFORMANCE				SYSTEM FEATURES			
Cooling	Min - Max	Btu/h	18000 - 37000		Compressor	Inverter	
	Capacity @95°F	Btu/h	32000		Ultra Low Frequency Torque Control	Yes	
Heating	Min - Max	Btu/h	18000 - 38000		Power Factor Correction	Yes	
	Capacity @5°F	Btu/h	24000		Compressor Type	Rotary	
	Capacity @17°F	Btu/h	22000		Refrigerant Type	R410A	
	Capacity @47°F	W	34000		Outdoor Electronic Expansion Valve (EEV)	Yes	
SEER2			15.2		Indoor TXV Control	Yes	
EER2			9.5		Basepan With Electric Heater	Yes	
HSPF2			8.5		Compressor With Electric Heater	Yes	
COP @5°F			1.8		Fin Coating (Outdoor - Golden & Indoor - Blue)	Acrylic Resin	
COP @47°F			3.5		Intelligent Defrosting	Yes	
Cooling Temperature Range		°F	5 - 129		Intelligent Preheating	Yes	
Heating Temperature Range		°F	-22 - 75		Low Voltage Startup	Yes	
Refrigerant Type			R410A		Memory/Power Failure Recovery	Yes	
INDOOR UNIT		ENVBR36C		SYSTEM FEATURES			
Dehumidification		pt/hr	9.68		Self Diagnosis	Yes	
Condensate Drain Size (OD)		in	3 / 4		Low Ambient Cooling	Yes	
External Dimensions (W x H x D)		in	17-1/2 x 23 x 21-1/4		24VAC Thermostat Compatible	Yes	
Package Dimension (W x H x D)		in	21 x 25-13/16 x 27-1/8				
Refrigerant Charge - R410A		oz	8.8				
Net Weight		lbs	64				
Gross Weight		lbs	75				
OUTDOOR UNIT		ENVBR36HPJ10A					
Power Supply		VAC	208-230V / 1Ph / 60 Hz				
Sound Pressure Level		dB(A)	57				
Control Voltage		VAC	24				
Rated Current Cooling		A	21				
Rated Current Heating		A	25				
MCA		A	24				
MOCP		A	35				
Recommended Breaker Size		A	30				
External Dimensions (W x H x D)		in	37 x 32-1/4 x 18-1/8				
Package Dimension (W x H x D)		in	42-11/16 x 38-3/8 x 22-9/16				
Net Weight		lbs	217				
Gross Weight		lbs	240				
Refrigerant Charge - R410A		oz	148				
Additional Charge		oz/ft	0.32				
REFRIGERANT PIPING							
Line Set Size (Liquid - Gas) - Flared Connections		in	3/8 - 3/4				
Pre-Charge Length		ft	31				
Additional Charge		oz/ft	0.32				
Pipe Length (Min - Max)		ft	10 - 164				
Max. Pipe Elevation		ft	100				

DIMENSIONS

INDOOR UNIT

Unit: inch

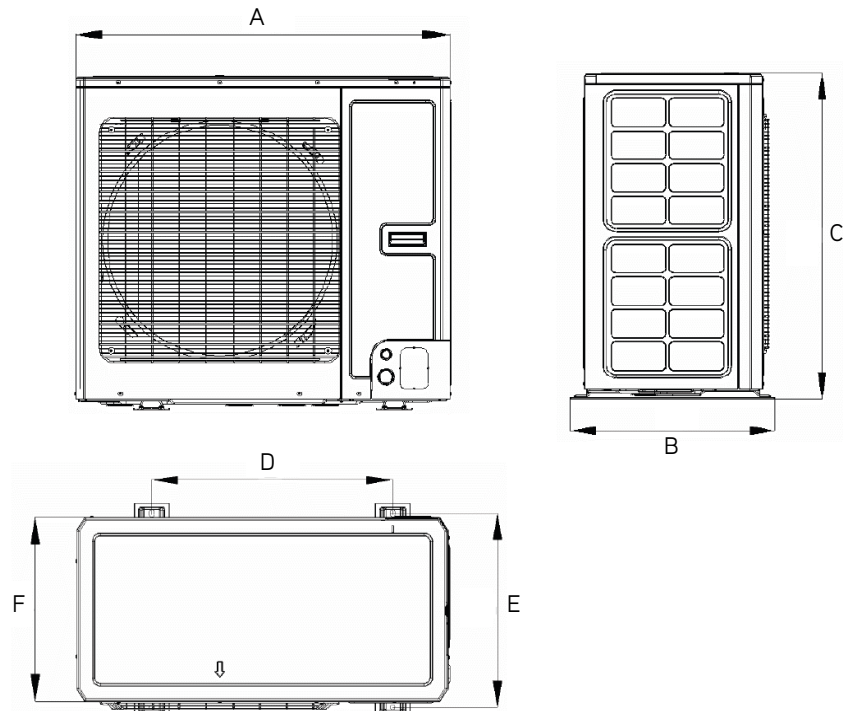
ENVBR36C	
DIMENSIONS	
A	15-7/8
B	19-3/8
H	23
W	17-1/2
D	21-1/4



OUTDOOR UNIT

Unit: inch

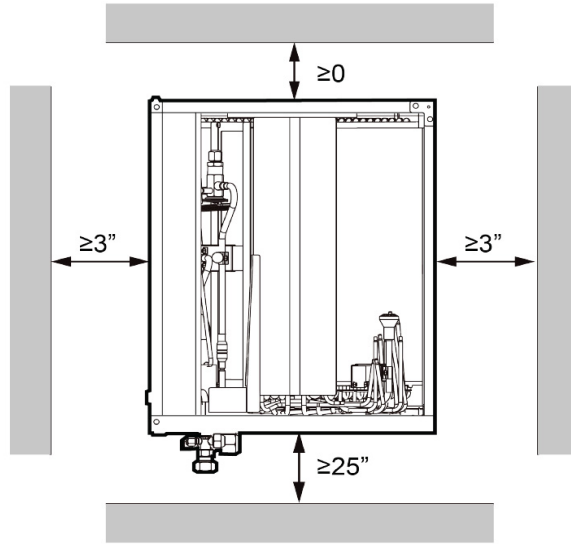
ENVBR36HPJ10A	
DIMENSIONS	
A	37
B	20-1/8
C	32-1/4
D	24
E	19-1/8
F	18-1/8



CLEARANCES

INDOOR UNIT

Minimum clearance



NOTE:

When installing the coil, take consideration to minimize the length of refrigerant tubing as much as possible. Do not install the air handler in a location either above or below the condenser that violates the instructions provided with the condenser. Service clearance is to take precedence. Allow a minimum of 25" in front of the unit for service clearance, as shown below.

The drain pan must be at least 2" away from a standard gas-fired furnace heat exchanger and at least 4"-6" away from any drum-type or oil-fired furnace heat exchanger, depending on furnace model. Closer spacing may damage the drain pan and cause a leak.

OUTDOOR UNIT

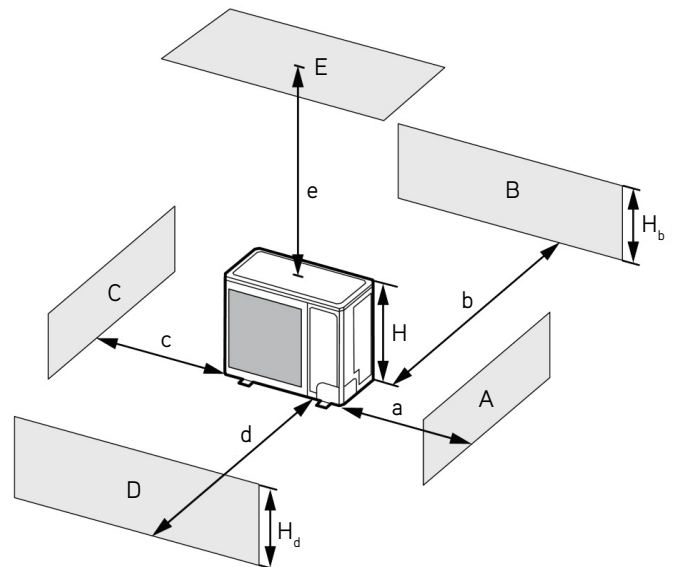
Minimum clearance

NOTE:

Install the Outdoor Unit **2 Inches** Above the Expected Snow Line

1. When one outdoor unit is to be installed.

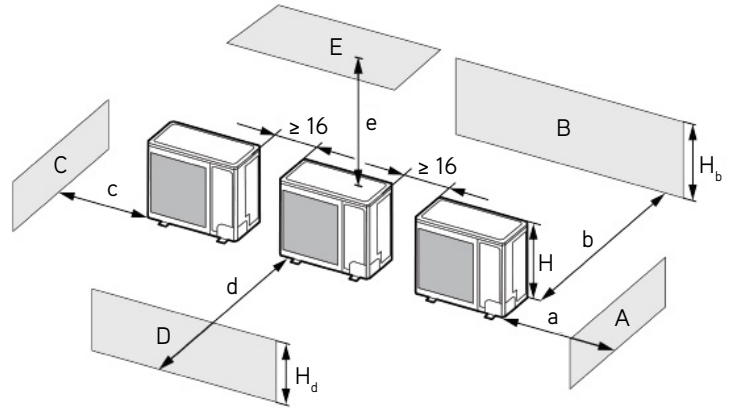
A - E	H_b H_d H		(in)				
			a	b	c	d	e
B	-	-	-	≥ 4	-	-	-
A, B, C	-	-	≥ 12	≥ 4	≥ 4	-	-
B, E	-	-	-	≥ 4	-	-	≥ 40
A, B, C, E	-	-	≥ 12	≥ 6	≥ 6	-	≥ 40
D	-	-	-	-	-	≥ 40	-
D, E	-	-	-	-	-	≥ 40	≥ 40
B, D	$H_b < H_d$	$H_d < H$	-	≥ 4	-	≥ 40	-
	$H_b > H_d$	$H_d > H$	-	≥ 4	-	≥ 40	-
B, D, E	$H_b < H_d$	$H_b \leq 1/2H$	-	≥ 10	-	≥ 80	≥ 40
		$1/2H < H_b \leq H$	-	≥ 10	-	≥ 80	≥ 40
	$H_b > H_d$	$H_b > H$	Prohibited				
		$H_b \leq 1/2H$	-	≥ 4	-	≥ 80	≥ 40
		$1/2H < H_b \leq H$	-	≥ 8	-	≥ 80	≥ 40
	$H_b > H$	Prohibited					



CLEARANCES

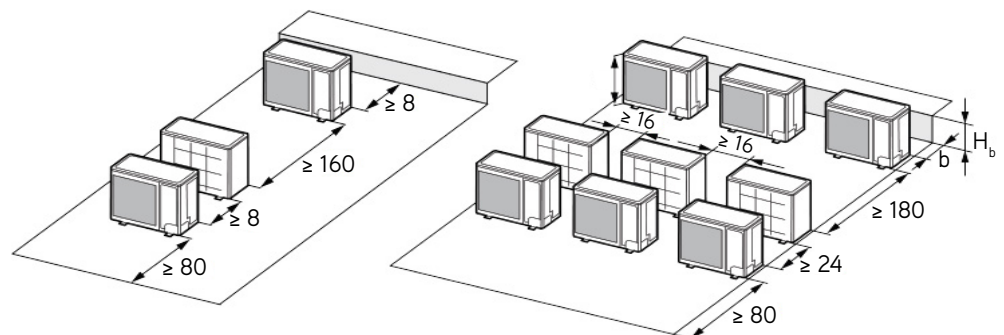
2. When two or more outdoor units are to be installed side by side.

A - E	H_b H_d H		(in)				
			a	b	c	d	e
A, B, C	-	-	≥ 12	≥ 12	≥ 40	-	-
A, B, C, E	-	-	≥ 12	≥ 12	≥ 40	-	≥ 40
D	-	-	-	-	-	≥ 80	-
D, E	-	-	-	-	-	≥ 80	≥ 40
B, D	$H_b < H_d$	$H_d > H$	-	≥ 12	-	≥ 80	-
	$H_b > H_d$	$H_d \leq 1/2H$	-	≥ 10	-	≥ 80	-
B, D, E	$H_b > H_d$	$1/2H < H_b \leq H$	-	≥ 12	-	≥ 100	-
		$H_b \leq 1/2H$	-	≥ 12	-	≥ 80	≥ 40
	$H_b < H_d$	$1/2H < H_b \leq H$	-	≥ 12	-	≥ 100	≥ 40
		$H_b > H$	Prohibited				
	$H_b > H_d$	$H_d \leq 1/2H$	-	≥ 10	-	≥ 100	≥ 40
		$1/2H < H_d \leq H$	-	≥ 12	-	≥ 100	≥ 40
	$H_d > H$	Prohibited					

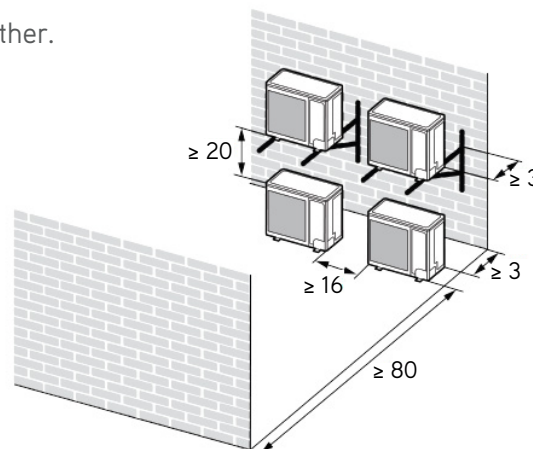


3. When outdoor units are installed in rows.

H_b H_d	(in)
$H_b \leq 1/2H$	$b \leq 10$
$1/2H < H_b \leq H$	$b \leq 12$
$H_b > H_d$	Prohibited



4. When outdoor units are installed one above another.



Specifications are subject to change without notice. Manufacturer reserves the right to discontinue or modify specifications or designs without notice or without incurring obligations. All Rights reserved.