

## SUBMITTAL DATA

ENVBR48C / ENVBR60HPJ10A  
48000 BTU/H A-Coil for Unitary Heat Pump Split System

Job Name

Location

Date

Purchaser

Engineer

Submitted to

For

Unit Designation

Schedule No.



ENVBR48C



ENVBR60HPJ10A

### GENERAL FEATURES

- AHRI Certificate: [212436231](#)
- High Efficiency DC Inverter Technology
- Compact and Quiet 58 dB(A) Side Discharge Outdoor Unit
- 24VAC Thermostat Compatible
- Zero Lot Line Design
- Match with Competitive Furnace
- Designed for New Construction or Replacement Market
- Low Ambient Cooling down to 5°F (-15°C)
- Low Ambient Heating down to -22°F (-30°C)
- Coil (Outdoor) Copper Tube/Aluminum Fin with Anti-Corrosion Coil Coating (Gold Colored Fin - 1500Hr Salt Spray Rating)
- Coil (Indoor) Copper Tube/Aluminum Fin with Anti-Corrosion Coil Coating (Blue Colored Fin - 500Hr Salt Spray Rating)

## SPECIFICATIONS, FEATURES & FUNCTION SUMMARY

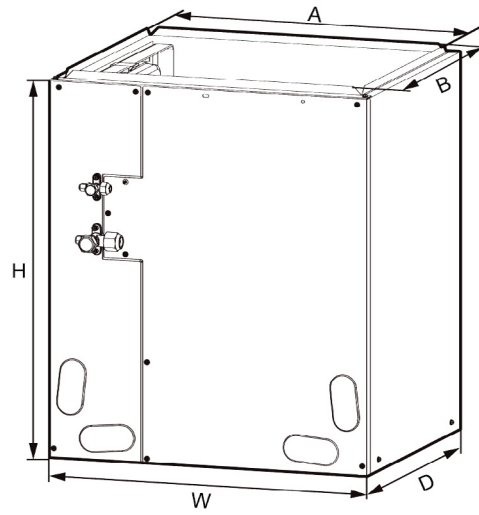
SPECIFICATIONS		ENVBR48C / ENVBR60HPJ10A		FEATURES & FUNCTIONS SUMMARY		ENVBR48C / ENVBR60HPJ10A	
System Type		HEAT PUMP					
<b>SYSTEM PERFORMANCE</b>							
Cooling	Min - Max	Btu/h	34000 - 48000				
	Capacity @95°F	Btu/h	47000				
Heating	Min - Max	Btu/h	34000 - 52000				
	Capacity @5°F	Btu/h	33600				
	Capacity @17°F	Btu/h	31200				
	Capacity @47°F	W	48000				
SEER2		15.2					
EER2		10					
HSPF2		8.5					
COP @5°F		1.8					
COP @47°F		3.6					
Cooling Temperature Range		°F	5 - 129				
Heating Temperature Range		°F	-22 - 75				
Refrigerant Type		R410A					
<b>INDOOR UNIT</b>				<b>ENVBR48C</b>			
Dehumidification		pt/hr	9.94				
Condensate Drain Size (OD)		in	3 / 4				
External Dimensions (W x H x D)		in	24-1/2 x 28-1/2 x 21-1/4				
Package Dimension (W x H x D)		in	28-1/8 x 31-5/16 x 27-1/8				
Refrigerant Charge - R410A		oz	8.8				
Net Weight		lbs	94.8				
Gross Weight		lbs	110.2				
<b>OUTDOOR UNIT</b>				<b>ENVBR60HPJ10A</b>			
Power Supply		VAC	208-230V / 1Ph / 60 Hz				
Sound Pressure Level		dB(A)	58				
Control Voltage		VAC	24				
Rated Current Cooling		A	30				
Rated Current Heating		A	31				
MCA		A	35				
MOCP		A	45				
Recommended Breaker Size		A	40				
External Dimensions (W x H x D)		in	39-3/8 x 53-5/8 x 14-1/2				
Package Dimension (W x H x D)		in	45-7/16 x 59-1/4 x 19-7/16				
Net Weight		lbs	308				
Gross Weight		lbs	337				
Refrigerant Charge - R410A		oz	220.5				
Additional Charge		oz/ft	0.32				
<b>REFRIGERANT PIPING</b>							
Line Set Size (Liquid - Gas) - Flared Connections		in	3/8 - 3/4				
Pre-Charge Length		ft	31				
Additional Charge		oz/ft	0.32				
Pipe Length (Min - Max)		ft	10 - 164				
Max. Pipe Elevation		ft	50				
<b>SYSTEM FEATURES</b>							
Compressor		Inverter					
Ultra Low Frequency Torque Control		Yes					
Power Factor Correction		Yes					
Compressor Type		Rotary					
Refrigerant Type		R410A					
Outdoor Electronic Expansion Valve (EEV)		Yes					
Indoor TXV Control		Yes					
Basepan With Electric Heater		Yes					
Compressor With Electric Heater		Yes					
Fin Coating (Outdoor - Golden & Indoor - Blue)		Acrylic Resin					
Intelligent Defrosting		Yes					
Intelligent Preheating		Yes					
Low Voltage Startup		Yes					
Memory/Power Failure Recovery		Yes					
Self Diagnosis		Yes					
Low Ambient Cooling		Yes					
24VAC Thermostat Compatible		Yes					

## DIMENSIONS

### INDOOR UNIT

Unit: inch

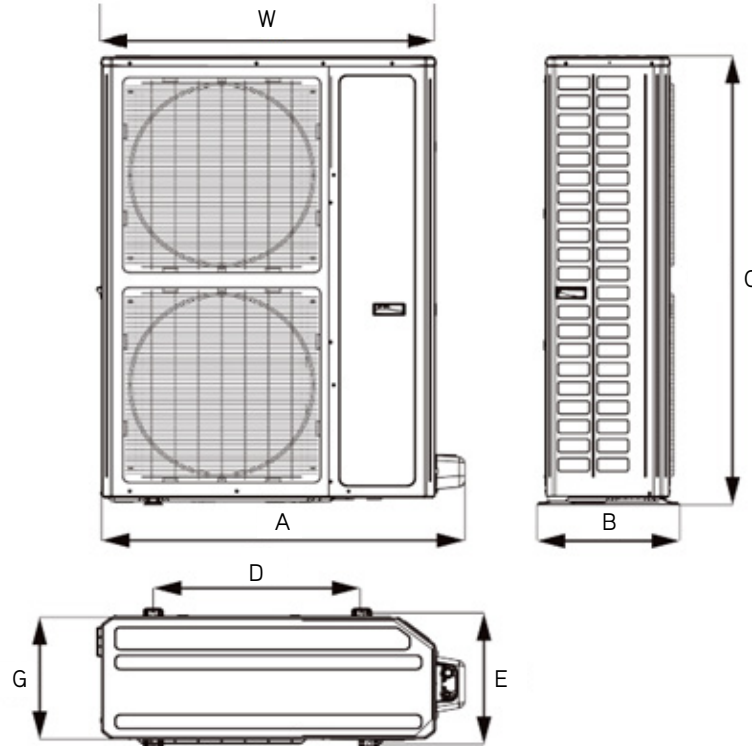
ENVBR48C	
DIMENSIONS	
A	22-7/8
B	19-3/8
H	28-1/2
W	24-1/2
D	21-1/4



### OUTDOOR UNIT

Unit: inch

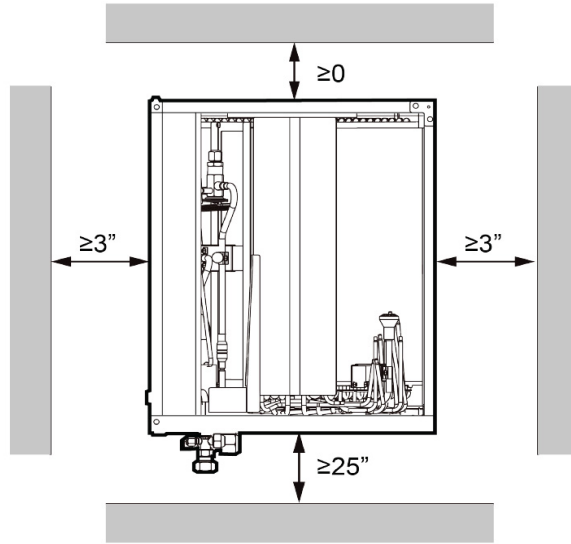
ENVBR60HPJ10A	
DIMENSIONS	
A	42-3/4
B	16-7/8
C	53-5/8
D	24-3/8
E	15-5/8
G	14-1/2
W	39-3/8



# CLEARANCES

## INDOOR UNIT

Minimum clearance



### NOTE:

When installing the coil, take consideration to minimize the length of refrigerant tubing as much as possible. Do not install the air handler in a location either above or below the condenser that violates the instructions provided with the condenser. Service clearance is to take precedence. Allow a minimum of 25" in front of the unit for service clearance, as shown below.

The drain pan must be at least 2" away from a standard gas-fired furnace heat exchanger and at least 4"-6" away from any drum-type or oil-fired furnace heat exchanger, depending on furnace model. Closer spacing may damage the drain pan and cause a leak.

## OUTDOOR UNIT

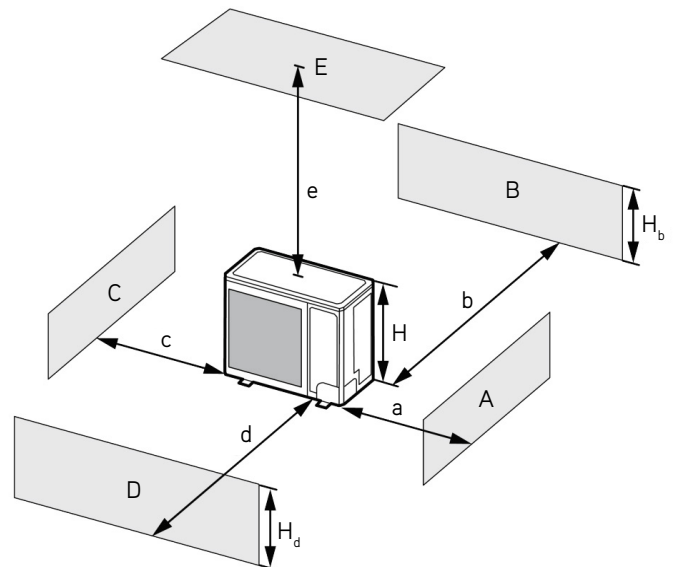
Minimum clearance

### NOTE:

Install the Outdoor Unit **2 Inches** Above the Expected Snow Line

1. When one outdoor unit is to be installed.

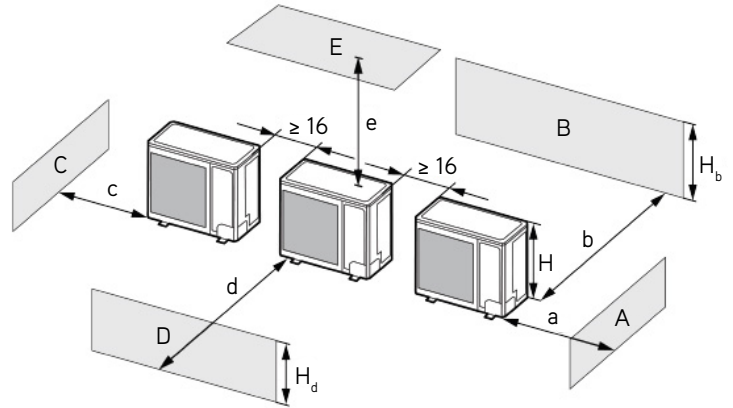
A - E	$H_b$ $H_d$ H		(in)				
			a	b	c	d	e
B	-	-	-	$\geq 4$	-	-	-
A, B, C	-	-	$\geq 12$	$\geq 4$	$\geq 4$	-	-
B, E	-	-	-	$\geq 4$	-	-	$\geq 40$
A, B, C, E	-	-	$\geq 12$	$\geq 6$	$\geq 6$	-	$\geq 40$
D	-	-	-	-	-	$\geq 40$	-
D, E	-	-	-	-	-	$\geq 40$	$\geq 40$
B, D	$H_b < H_d$	$H_d < H$	-	$\geq 4$	-	$\geq 40$	-
	$H_b > H_d$	$H_d > H$	-	$\geq 4$	-	$\geq 40$	-
B, D, E	$H_b < H_d$	$H_b \leq 1/2H$	-	$\geq 10$	-	$\geq 80$	$\geq 40$
		$1/2H < H_b \leq H$	-	$\geq 10$	-	$\geq 80$	$\geq 40$
	$H_b > H_d$	$H_b > H$	Prohibited				
		$H_b \leq 1/2H$	-	$\geq 4$	-	$\geq 80$	$\geq 40$
		$1/2H < H_b \leq H$	-	$\geq 8$	-	$\geq 80$	$\geq 40$
	$H_b > H$	Prohibited					



## CLEARANCES

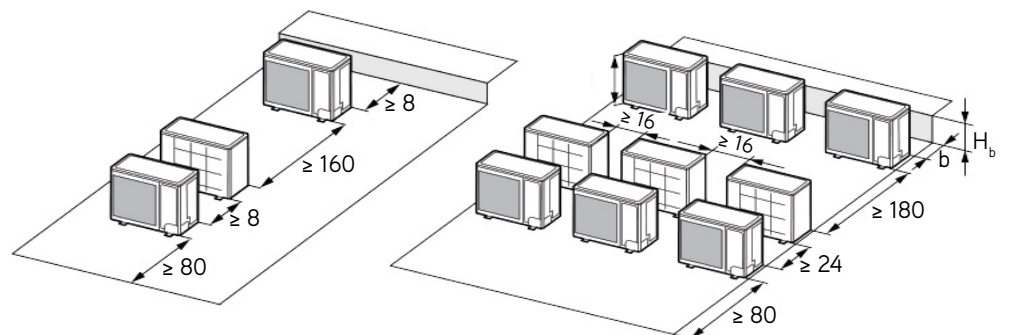
2. When two or more outdoor units are to be installed side by side.

A - E	$H_b$ $H_d$ $H$	(in)				
		a	b	c	d	e
A, B, C	-	$\geq 12$	$\geq 12$	$\geq 40$	-	-
A, B, C, E	-	$\geq 12$	$\geq 12$	$\geq 40$	-	$\geq 40$
D	-	-	-	-	$\geq 80$	-
D, E	-	-	-	-	$\geq 80$	$\geq 40$
B, D	$H_b < H_d$	$H_d > H$	-	$\geq 12$	-	$\geq 80$
	$H_b > H_d$	$H_d \leq 1/2H$	-	$\geq 10$	-	$\geq 80$
B, D, E	$H_b > H_d$	$1/2H < H_b \leq H$	-	$\geq 12$	-	$\geq 100$
		$H_b \leq 1/2H$	-	$\geq 12$	-	$\geq 80$
	$H_b < H_d$	$1/2H < H_b \leq H$	-	$\geq 12$	-	$\geq 100$
		$H_b > H$	Prohibited			
	$H_b > H_d$	$H_d \leq 1/2H$	-	$\geq 10$	-	$\geq 100$
		$1/2H < H_b \leq H$	-	$\geq 12$	-	$\geq 100$
	$H_d > H$	Prohibited				

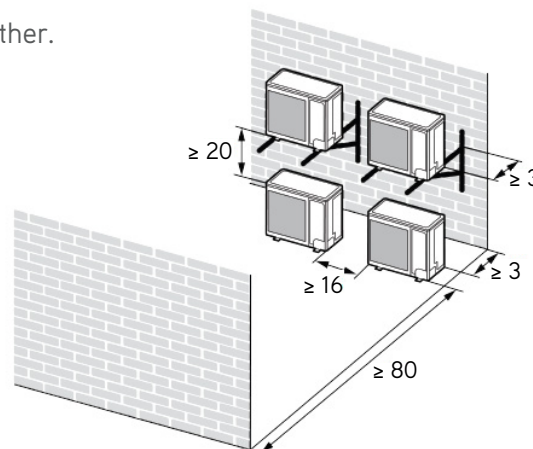


3. When outdoor units are installed in rows.

$H_b$ $H_d$	(in)
$H_b \leq 1/2H$	$b \leq 10$
$1/2H < H_b \leq H$	$b \leq 12$
$H_b > H_d$	Prohibited



4. When outdoor units are installed one above another.



Specifications are subject to change without notice. Manufacturer reserves the right to discontinue or modify specifications or designs without notice or without incurring obligations. All Rights reserved.

[BOREALSPLOTS.COM/ENERMAXX](http://BOREALSPLOTS.COM/ENERMAXX)