

SUBMITTAL DATA

ENVBR24HPJ1IB / ENVBR36HPJ10A
24000 BTU/H Unitary Heat Pump Split System

Job Name

Location

Date

Purchaser

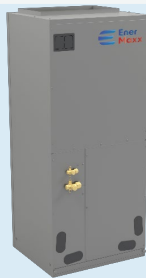
Engineer

Submitted to

For

Unit Designation

Schedule No.



ENVBR24HPJ1IB



ENVBR36HPJ10A

GENERAL FEATURES

- AHRI Certificate: [208130264](#)
- High Efficiency DC Inverter Technology
- 24VAC Thermostat Compatible
- Zero Lot Line Design
- Match with ENERMAXX or Competitive Indoor Unit
- 8 Speed Fan Motor
- Designed for New Construction or Replacement Market
- Compact and Quiet, as low as 55 dB(A) Side Discharge Outdoor Unit
- Low Ambient Cooling down to -15°C (5°F)
- Low Ambient Heating down to -30°C (-22°F)
- Coil (Outdoor) Copper Tube/Aluminum Fin with Anti-Corrosion Coil Coating (Gold Colored Fin - 1500Hr Salt Spray Rating)
- Coil (Indoor) Copper Tube/Aluminum Fin with Anti-Corrosion Coil Coating (Blue Colored Fin - 500Hr Salt Spray Rating)

SPECIFICATIONS, FEATURES & FUNCTION SUMMARY

SPECIFICATIONS ENVBR24HPJ1IB / ENVBR36HPJ10A

System Type HEAT PUMP

SYSTEM PERFORMANCE

Cooling	Min - Max	Btu/h	12000 - 24000
	Capacity @95°F	Btu/h	24000
Heating	Min - Max	Btu/h	12000 - 30000
	Capacity @5°F	Btu/h	22000
	Capacity @17°F	Btu/h	16000
	Capacity @47°F	W	24000
SEER2			17
EER2			12
HSPF2			9
COP @5°F			1.8
COP @47°F			4
Cooling Temperature Range	°F		5 - 129
Heating Temperature Range	°F		-22 - 75
Refrigerant Type			R410A

INDOOR UNIT ENVBR24HPJ1IB

Power Supply	VAC	208-230V / 1Ph / 60 Hz
Sound Pressure Level	dB(A)	45
Control Voltage	VAC	24
Rated Current Cooling	A	3
Rated Current Heating	A	3
MCA	A	4
MOCP	A	15
Electric Heater (Optional)	kW	5, 8, 10
Air Flow	CFM	940
External Static Pressure (Up to)	In W.c.	1.0
Dehumidification	pt/hr	3.06
External Dimensions (W x H x D)	in	21-1/4 x 48-1/4 x 21-1/4
Package Dimension (W x H x D)	in	26 x 50-7/16 x 23-3/4
Net Weight	lbs	156
Gross Weight	lbs	169

OUTDOOR UNIT ENVBR36HPJ10A

Power Supply	VAC	208-230V / 1Ph / 60 Hz
Sound Pressure Level	dB(A)	55
Control Voltage	VAC	24
Rated Current Cooling	A	21
Rated Current Heating	A	25
MCA	A	24
MOCP	A	35
External Dimensions (W x H x D)	in	37 x 32-1/4 x 18-1/8
Package Dimension (W x H x D)	in	42-11/16 x 38-3/8 x 22-9/16
Net Weight	lbs	217
Gross Weight	lbs	240
Refrigerant Charge - R410A	oz	148
Additional Charge	oz/ft	0.32

REFRIGERANT PIPING

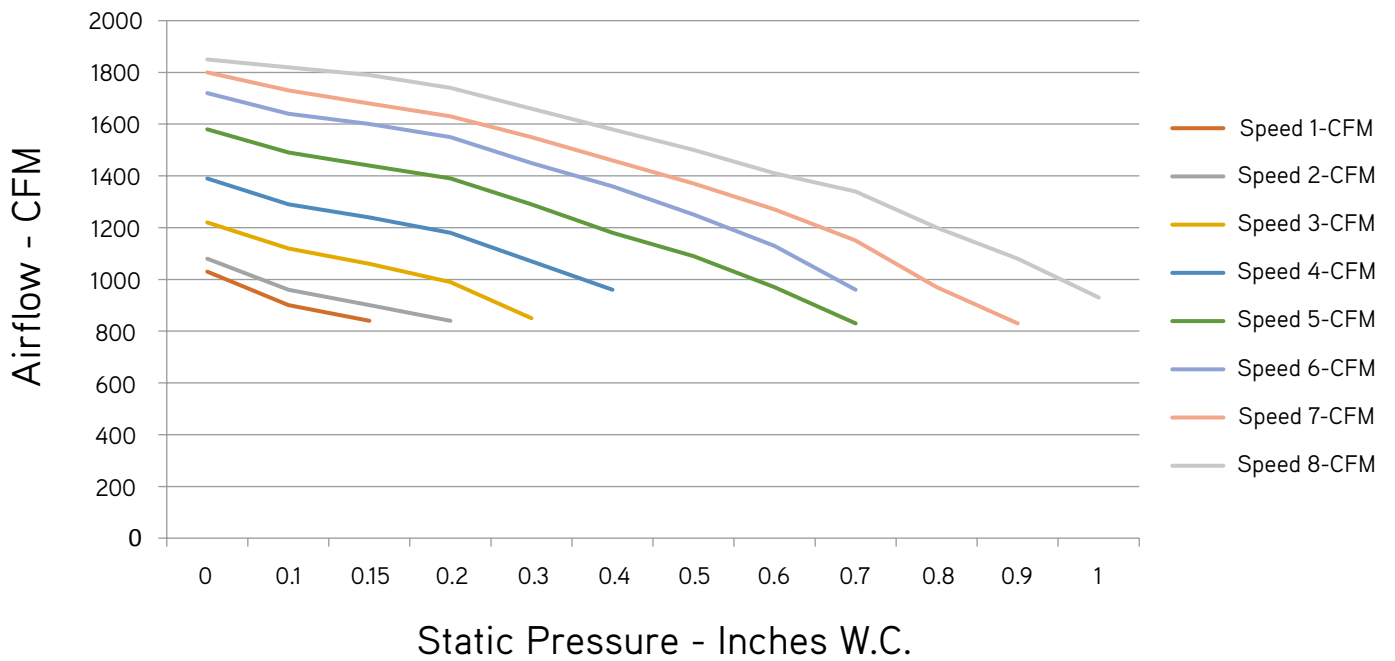
Line Set Size (Liquid - Gas) - Flared Connections	in	3/8 - 3/4
Pre-Charge Length	ft	31
Pipe Length (Min - Max)	ft	10 - 164
Max. Pipe Elevation	ft	100

FEATURES & FUNCTIONS SUMMARY ENVBR24HPJ1IB / ENVBR36HPJ10A

SYSTEM FEATURES

Compressor	Inverter
Ultra Low Frequency Torque Control	Yes
Power Factor Correction	Yes
Compressor Type	Rotary
Refrigerant Type	R410A
Outdoor Electronic Expansion Valve (EEV)	Yes
Indoor TXV Control	Yes
Basepan With Electric Heater	Yes
Compressor With Electric Heater	Yes
Fin Coating (Outdoor - Golden & Indoor - Blue)	Acrylic Resin
Intelligent Defrosting	Yes
Intelligent Preheating	Yes
Low Voltage Startup	Yes
Memory/Power Failure Recovery	Yes
Self Diagnosis	Yes
Low Ambient Cooling	Yes
24VAC Thermostat Compatible	Yes
Indoor Fan Type	Centrifugal
Multi Fan Speeds	8
Auxiliary Electrical Heater	Optional

FAN PERFORMANCE



STATIC PRESSURE Inches W.C.	0	0.1	0.15	0.2	0.3	0.4	0.5	0.6	0.7	0.8	0.9	1.0
Speed 1 - CFM	1030	900	840									
Speed 2 - CFM	1080	960	900	840								
Speed 3 - CFM	1220	1120	1060	990	850							
Speed 4 - CFM	1390	1290	1240	1180	1070	960						
Speed 5 - CFM	1580	1490	1440	1390	1290	1180	1090	970	830			
Speed 6 - CFM	1720	1640	1600	1550	1450	1360	1250	1130	960			
Speed 7 - CFM	1800	1730	1680	1630	1550	1460	1370	1270	1150	970	830	
Speed 8 - CFM	1850	1820	1790	1740	1660	1580	1500	1410	1340	1200	1080	930

NOTE:

1. Above chart CFM ratings are based on dry coil with factory filter installed.
2. For wet coil CFM ratings, multiply the CFM by 0.96 correction factor.

DIMENSIONS

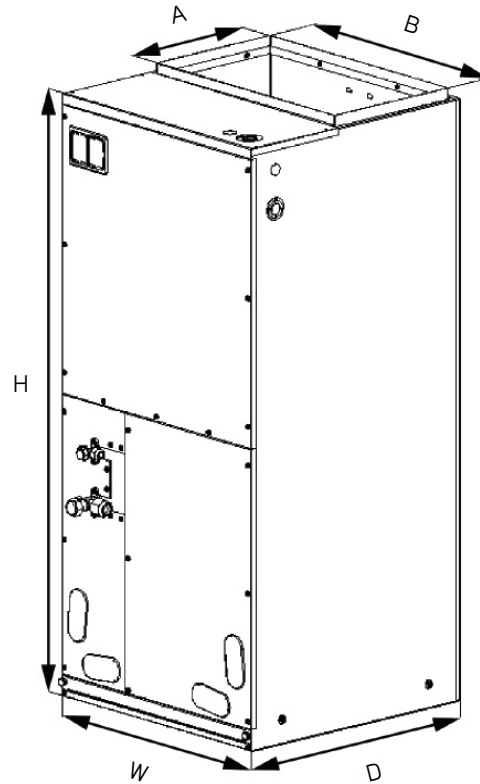
INDOOR UNIT

Unit: inch

ENVBR24HPJ1B	
DIMENSIONS	
A	11-5/8
B	20
H	48-1/4
W	21-1/4
D	21-1/4

FILTER SIZE	
Supplied*	19-1/4 x 20-1/4 x 1/2
Suggested	19-1/4 x 20-1/4 x 1

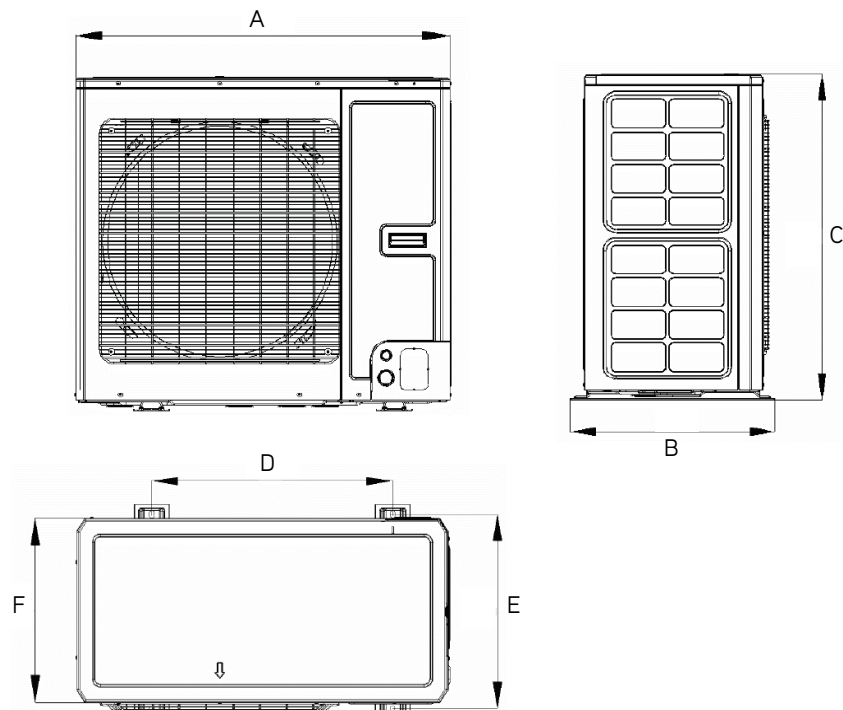
*Supplied filter is metal mesh



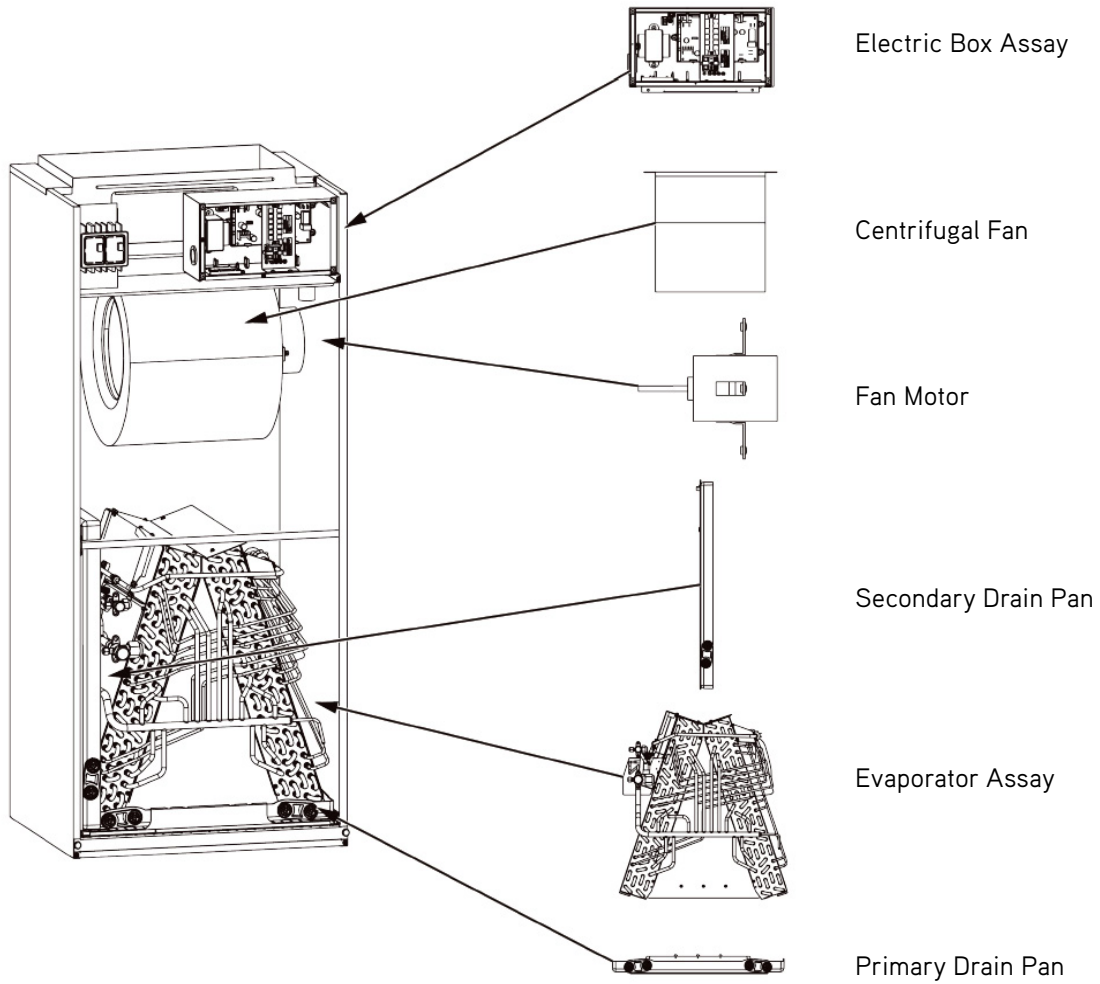
OUTDOOR UNIT

Unit: inch

ENVBR36HPJ10A	
DIMENSIONS	
A	37
B	20-1/8
C	32-1/4
D	24
E	19-1/8
F	18-1/8



ACCESSORY HEATER AND GENERAL INFORMATION



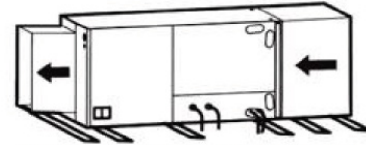
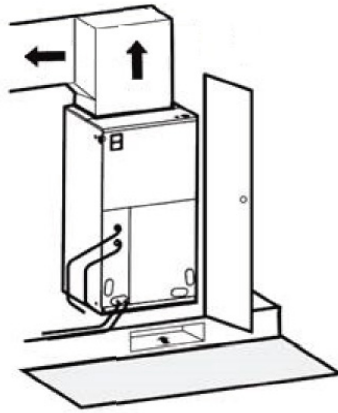
MODEL	Heat Kit Model	Electric Heat (kW)		Min. Circuit		Max. Fuse or Breaker	
		240V	208V	240V	208V	240V	208V
ENVBR24HPJ11B	FLEXXHTR5KW	5	3.76	26	22.6	30	25
	FLEXXHTR8KW	8	6	41.7	36	45	40
	FLEXXHTR10KW	10	7.51	52	45	60	45
	21-4227-00	5	3.76	26	22.6	30	25
	21-4216-00	8	6	41.7	36	45	40
	21-4216-01	10	7.51	52	45	60	45

CLEARANCES

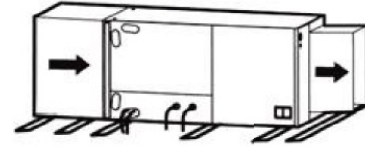
INDOOR UNIT

Minimum clearance

FRONT > 24



Horizontal Left Configuration - No Modification Needed



Horizontal Right Configuration - Must Relocate Drain Pan

NOTE:

Allow a minimum of 24" in front of the unit for service clearance. When installing in an area directly over a finished ceiling (such as an attic), an emergency drain pan is required directly under the unit. **See local and state codes for requirements.** When installing this unit in an area that may become wet, elevate the unit with a sturdy, non-porous material. In installations that may lead to physical damage (i.e. a garage) it is advised to install a protective barrier to prevent such damage. This air handler is designed for a complete supply and return ductwork system.

OUTDOOR UNIT

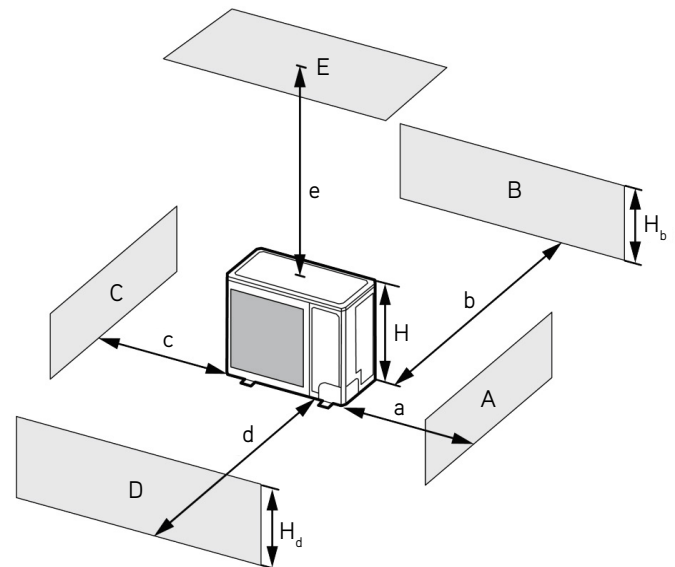
Minimum clearance

NOTE:

Install the Outdoor Unit **2 Inches** Above the Expected Snow Line

1. When one outdoor unit is to be installed.

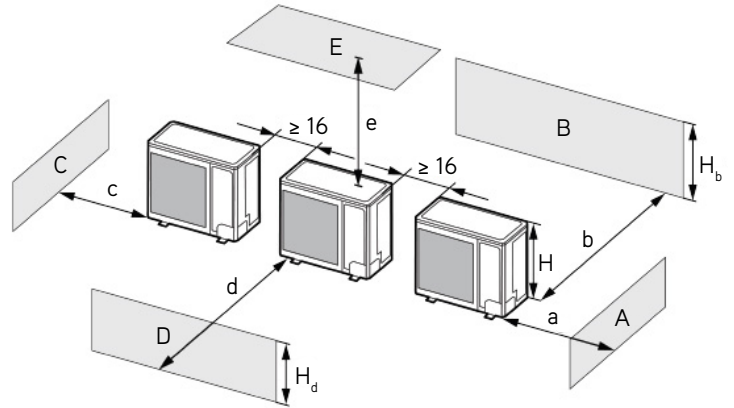
A - E	H_b H_d H		(in)				
			a	b	c	d	e
B	-	-	-	≥ 4	-	-	-
A, B, C	-	-	≥ 12	≥ 4	≥ 4	-	-
B, E	-	-	-	≥ 4	-	-	≥ 40
A, B, C, E	-	-	≥ 12	≥ 6	≥ 6	-	≥ 40
D	-	-	-	-	-	≥ 40	-
D, E	-	-	-	-	-	≥ 40	≥ 40
B, D	$H_b < H_d$	$H_d < H$	-	≥ 4	-	≥ 40	-
	$H_b > H_d$	$H_d > H$	-	≥ 4	-	≥ 40	-
B, D, E	-	$H_b \leq 1/2H$	-	≥ 10	-	≥ 80	≥ 40
	$H_b < H_d$	$1/2H < H_b \leq H$	-	≥ 10	-	≥ 80	≥ 40
	-	$H_b > H$	Prohibited				
	$H_b > H_d$	$H_d \leq 1/2H$	-	≥ 4	-	≥ 80	≥ 40
	$H_b > H_d$	$1/2H < H_d \leq H$	-	≥ 8	-	≥ 80	≥ 40
-	$H_d > H$	Prohibited					



CLEARANCES

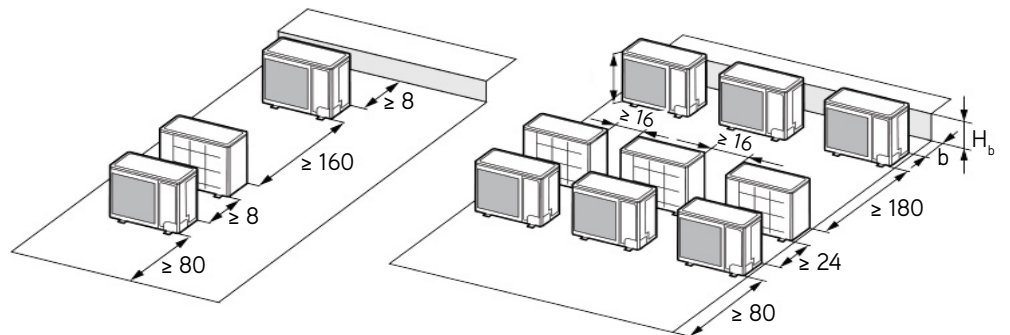
2. When two or more outdoor units are to be installed side by side.

A - E	H_b H_d H	(in)				
		a	b	c	d	e
A, B, C	-	≥ 12	≥ 12	≥ 40	-	-
A, B, C, E	-	≥ 12	≥ 12	≥ 40	-	≥ 40
D	-	-	-	-	≥ 80	-
D, E	-	-	-	-	≥ 80	≥ 40
B, D	$H_b < H_d$	$H_d > H$	-	≥ 12	-	≥ 80
	$H_b > H_d$	$H_d \leq 1/2H$	-	≥ 10	-	≥ 80
B, D, E	$H_b > H_d$	$1/2H < H_b \leq H$	-	≥ 12	-	≥ 100
		$H_b \leq 1/2H$	-	≥ 12	-	≥ 80
	$H_b < H_d$	$1/2H < H_b \leq H$	-	≥ 12	-	≥ 100
		$H_b > H$	Prohibited			
	$H_b > H_d$	$H_d \leq 1/2H$	-	≥ 10	-	≥ 100
		$1/2H < H_b \leq H$	-	≥ 12	-	≥ 100
	$H_d > H$	Prohibited				

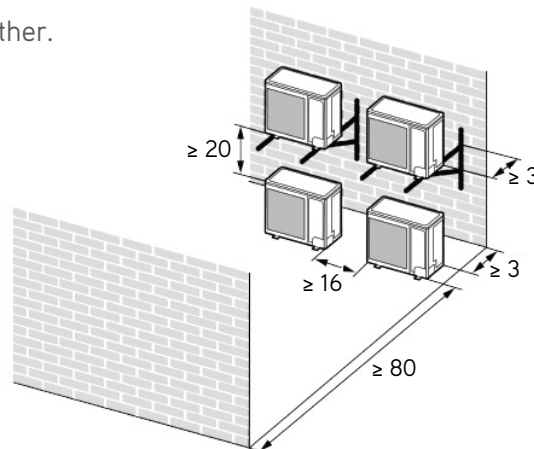


3. When outdoor units are installed in rows.

H_b H_d	(in)
$H_b \leq 1/2H$	$b \leq 10$
$1/2H < H_b \leq H$	$b \leq 12$
$H_b > H_d$	Prohibited



4. When outdoor units are installed one above another.



Specifications are subject to change without notice. Manufacturer reserves the right to discontinue or modify specifications or designs without notice or without incurring obligations. All Rights reserved.