

SUBMITTAL DATA

ENVBR48HPJ1IB / ENVBR60HPJ10A
48000 BTU/H Unitary Heat Pump Split System

Job Name

Location

Date

Purchaser

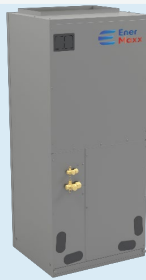
Engineer

Submitted to

For

Unit Designation

Schedule No.



ENVBR48HPJ1IB



ENVBR60HPJ10A

GENERAL FEATURES

- AHRI Certificate: [208130266](#)
- High Efficiency DC Inverter Technology
- 24VAC Thermostat Compatible
- Zero Lot Line Design
- Match with ENERMAXX or Competitive Indoor Unit
- 8 Speed Fan Motor
- Designed for New Construction or Replacement Market
- Compact and Quiet, as low as 58 dB(A) Side Discharge Outdoor Unit
- Low Ambient Cooling down to -15°C (5°F)
- Low Ambient Heating down to -30°C (-22°F)
- Coil (Outdoor) Copper Tube/Aluminum Fin with Anti-Corrosion Coil Coating (Gold Colored Fin - 1500Hr Salt Spray Rating)
- Coil (Indoor) Copper Tube/Aluminum Fin with Anti-Corrosion Coil Coating (Blue Colored Fin - 500Hr Salt Spray Rating)

SPECIFICATIONS, FEATURES & FUNCTION SUMMARY

SPECIFICATIONS ENVBR48HPJ1IB / ENVBR60HPJ10A

System Type HEAT PUMP

SYSTEM PERFORMANCE

Cooling	Min - Max	Btu/h	34000 - 48000
	Capacity @95°F	Btu/h	48000
Heating	Min - Max	Btu/h	34000 - 52000
	Capacity @5°F	Btu/h	39000
	Capacity @17°F	Btu/h	31400
	Capacity @47°F	W	48000
SEER2			17
EER2			11
HSPF2			9
COP @5°F			1.8
COP @47°F			3.3
Cooling Temperature Range	°F		5 - 129
Heating Temperature Range	°F		-22 - 75
Refrigerant Type			R410A

INDOOR UNIT ENVBR48HPJ1IB

Power Supply	VAC	208-230V / 1Ph / 60 Hz
Sound Pressure Level	dB(A)	50
Control Voltage	VAC	24
Rated Current Cooling	A	5
Rated Current Heating	A	5
MCA	A	8
MOCP	A	15
Electric Heater (Optional)	kW	10, 15, 20
Air Flow	CFM	1470
External Static Pressure (Up to)	In W.c.	1
Dehumidification	pt/hr	9.94
External Dimensions (W x H x D)	in	24-3/4 x 57 x 21-1/4
Package Dimension (W x H x D)	in	27-5/16 x 59-3/8 x 26
Net Weight	lbs	202
Gross Weight	lbs	218

OUTDOOR UNIT ENVBR60HPJ10A

Power Supply	VAC	208-230V / 1Ph / 60 Hz
Sound Pressure Level	dB(A)	58
Control Voltage	VAC	24
Rated Current Cooling	A	30
Rated Current Heating	A	31
MCA	A	35
MOCP	A	45
External Dimensions (W x H x D)	in	39-3/8 x 53-5/8 x 14-1/2
Package Dimension (W x H x D)	in	45-1/16 x 59-1/4 x 19-7/16
Net Weight	lbs	308
Gross Weight	lbs	337
Refrigerant Charge - R410A	oz	220.5
Additional Charge	oz/ft	0.32

REFRIGERANT PIPING

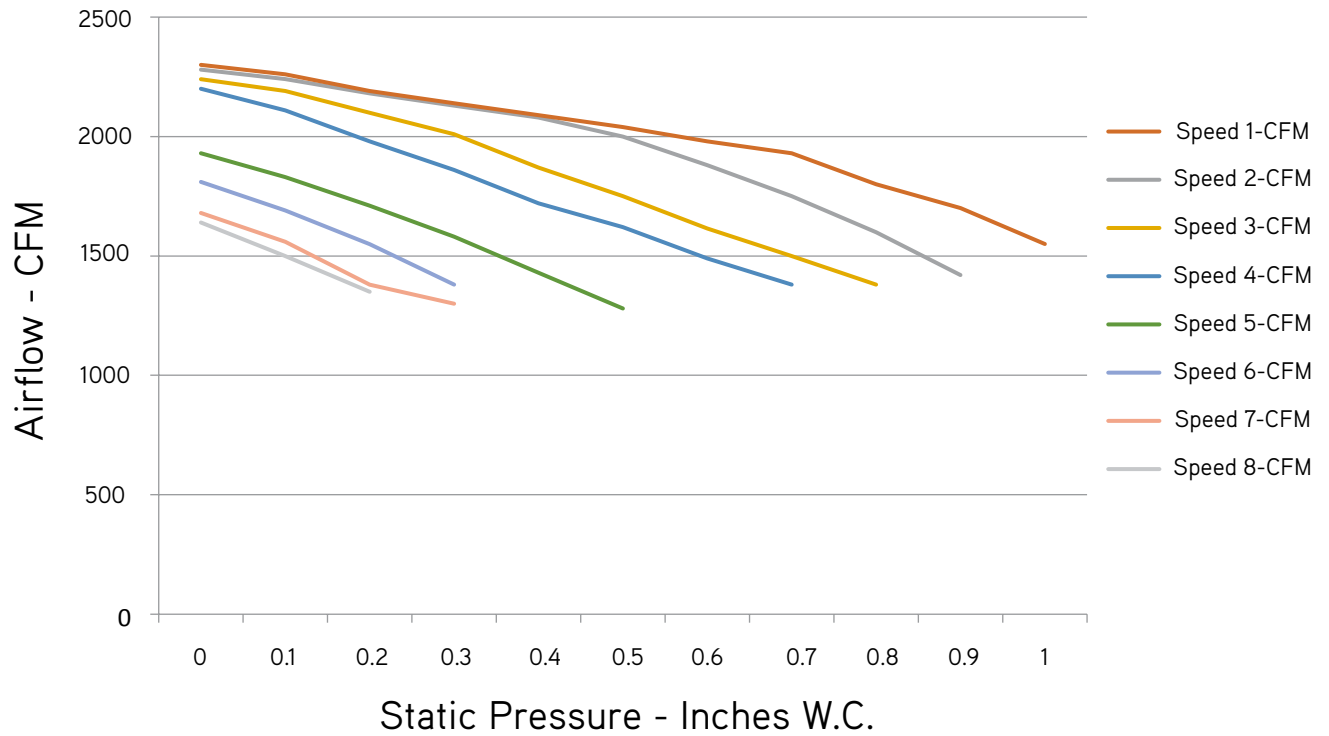
Line Set Size (Liquid - Gas) - Flared Connections	in	3/8 - 3/4
Pre-Charge Length	ft	31
Pipe Length (Min - Max)	ft	10 - 100
Max. Pipe Elevation	ft	50

FEATURES & FUNCTIONS SUMMARY ENVBR48HPJ1IB / ENVBR60HPJ10A

SYSTEM FEATURES

Compressor	Inverter
Ultra Low Frequency Torque Control	Yes
Power Factor Correction	Yes
Compressor Type	Rotary
Refrigerant Type	R410A
Outdoor Electronic Expansion Valve (EEV)	Yes
Indoor TXV Control	Yes
Basepan With Electric Heater	Yes
Compressor With Electric Heater	Yes
Fin Coating (Outdoor - Golden & Indoor - Blue)	Acrylic Resin
Intelligent Defrosting	Yes
Intelligent Preheating	Yes
Low Voltage Startup	Yes
Memory/Power Failure Recovery	Yes
Self Diagnosis	Yes
Low Ambient Cooling	Yes
24VAC Thermostat Compatible	Yes
Indoor Fan Type	Centrifugal
Multi Fan Speeds	8
Auxiliary Electrical Heater	Optional

FAN PERFORMANCE



STATIC PRESSURE Inches W.C.	0	0.1	0.15	0.2	0.3	0.4	0.5	0.6	0.7	0.8	0.9	1.0
Speed 1 - CFM	1640	1500	1450	1350								
Speed 2 - CFM	1680	1560	1500	1380	1300							
Speed 3 - CFM	1810	1690	1620	1550	1380							
Speed 4 - CFM	1930	1830	1770	1710	1580	1430	1280					
Speed 5 - CFM	2200	2110	2040	1980	1860	1720	1620	1490	1380			
Speed 6 - CFM	2240	2190	2145	2100	2010	1870	1750	1615	1500	1380		
Speed 7 - CFM	2280	2240	2200	2180	2130	2080	2000	1880	1750	1600	1420	1150
Speed 8 - CFM	2300	2260	2220	2190	2140	2090	2040	1980	1930	1800	1700	1550

NOTE:

1. Above chart CFM ratings are based on dry coil with factory filter installed.
2. For wet coil CFM ratings, multiply the CFM by 0.96 correction factor.

DIMENSIONS

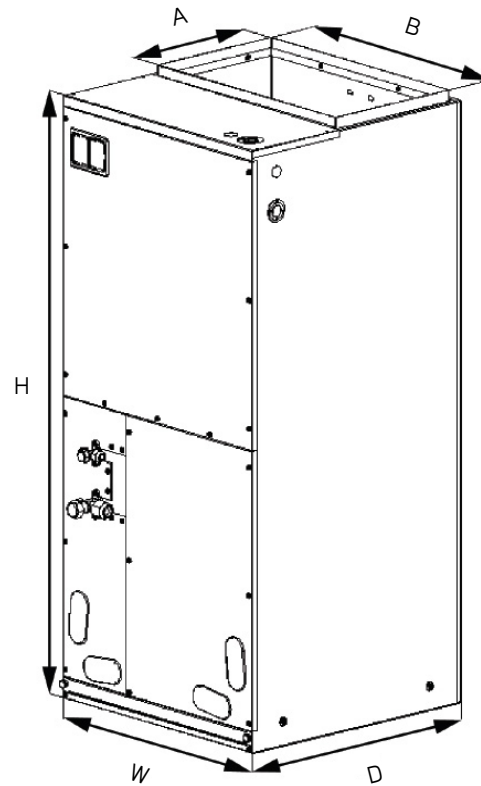
INDOOR UNIT

Unit: inch

ENVBR48HPJ1B	
DIMENSIONS	
A	11-5/8
B	20
H	57
W	24-3/4
D	21-1/4

FILTER SIZE	
Supplied*	20-5/8 x 20-5/16 x 1/2
Suggested	20-5/8 x 20-5/16 x 1

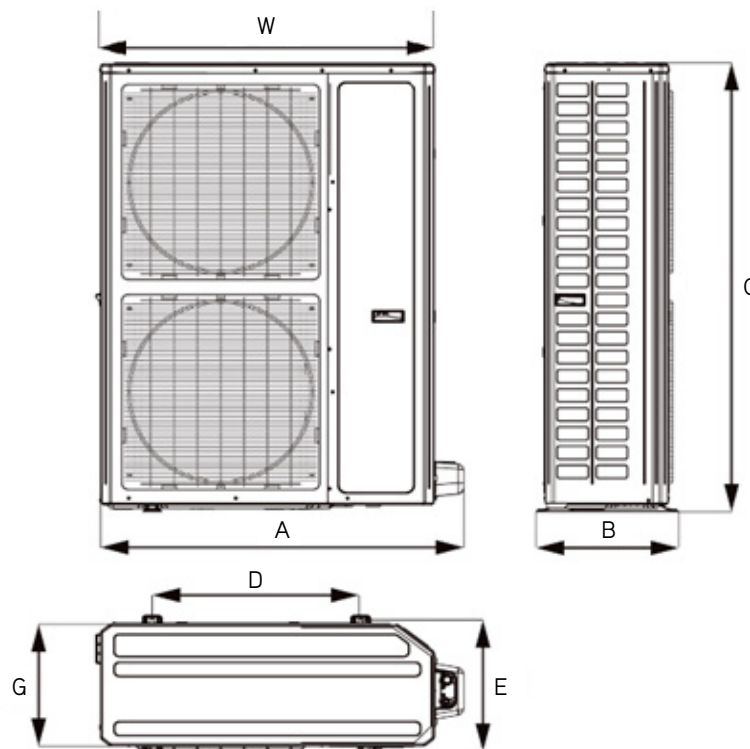
*Supplied filter is metal mesh



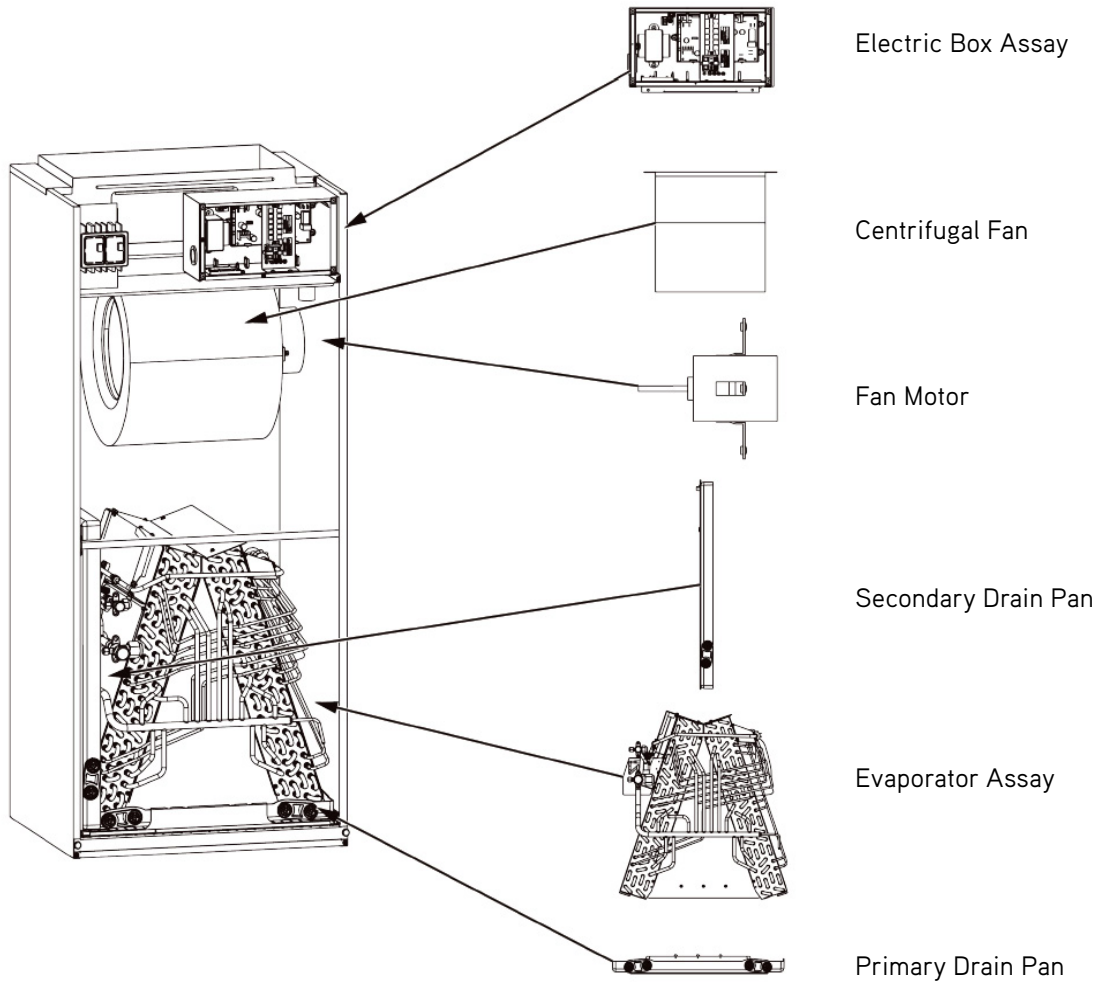
OUTDOOR UNIT

Unit: inch

ENVBR60HPJ10A	
DIMENSIONS	
A	42-3/4
B	16-7/8
C	53-5/8
D	24-3/8
E	15-5/8
G	14-1/2
W	39-3/8



ACCESSORY HEATER AND GENERAL INFORMATION



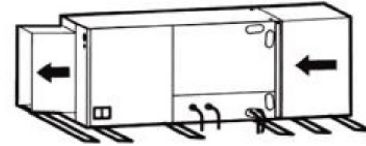
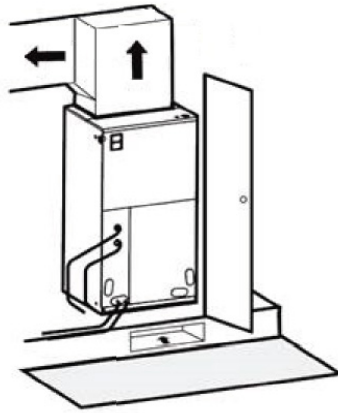
MODEL	Heat Kit Model	Electric Heat (kW)		Min. Circuit Ampacity Heater Only		Max. Fuse or Breaker Ampacity Heater Only	
		240V	208V	240V	208V	240V	208V
ENVBR48HPJ11B	FLEXXHTR10KW	10	7.51	52	45	60	45
	FLEXXHTR15KW	15	11.25	52 & 26	45 & 22.6	60 & 30	45 & 25
	FLEXXHTR20KW	20	15.02	52 & 52	45 & 45	60 & 60	45 & 45
	21-4216-01	10	7.51	52	45	60	45
	21-4217-00	15	11.25	52 & 26	45 & 22.6	60 & 30	45 & 25
	21-4228-00	20	15.02	52 & 52	45 & 45	60 & 60	45 & 45

CLEARANCES

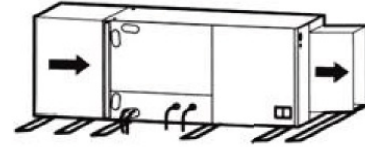
INDOOR UNIT

Minimum clearance

FRONT > 24



Horizontal Left Configuration - No Modification Needed



Horizontal Right Configuration - Must Relocate Drain Pan

NOTE:

Allow a minimum of 24" in front of the unit for service clearance. When installing in an area directly over a finished ceiling (such as an attic), an emergency drain pan is required directly under the unit. **See local and state codes for requirements.** When installing this unit in an area that may become wet, elevate the unit with a sturdy, non-porous material. In installations that may lead to physical damage (i.e. a garage) it is advised to install a protective barrier to prevent such damage. This air handler is designed for a complete supply and return ductwork system.

OUTDOOR UNIT

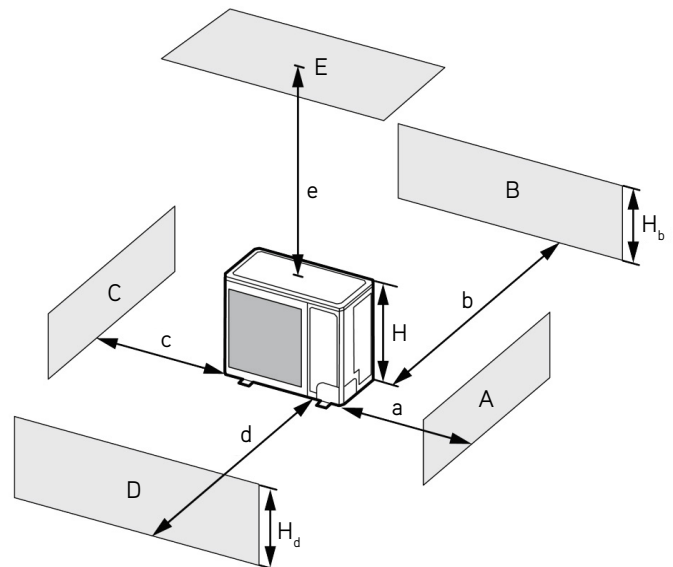
Minimum clearance

NOTE:

Install the Outdoor Unit **2 Inches Above the Expected Snow Line**

1. When one outdoor unit is to be installed.

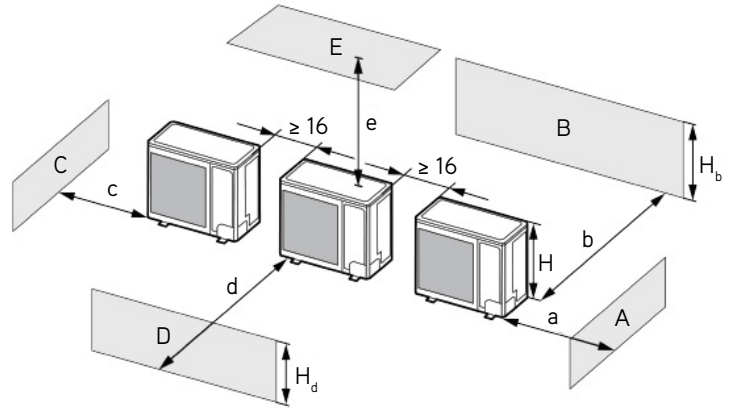
A - E	H_b H_d H		(in)				
			a	b	c	d	e
B	-	-	-	≥ 4	-	-	-
A, B, C	-	-	≥ 12	≥ 4	≥ 4	-	-
B, E	-	-	-	≥ 4	-	-	≥ 40
A, B, C, E	-	-	≥ 12	≥ 6	≥ 6	-	≥ 40
D	-	-	-	-	-	≥ 40	-
D, E	-	-	-	-	-	≥ 40	≥ 40
B, D	$H_b < H_d$	$H_d < H$	-	≥ 4	-	≥ 40	-
	$H_b > H_d$	$H_d > H$	-	≥ 4	-	≥ 40	-
B, D, E	-	$H_b \leq 1/2H$	-	≥ 10	-	≥ 80	≥ 40
	$H_b < H_d$	$1/2H < H_b \leq H$	-	≥ 10	-	≥ 80	≥ 40
	-	$H_b > H$	Prohibited				
	$H_b > H_d$	$H_d \leq 1/2H$	-	≥ 4	-	≥ 80	≥ 40
	$H_b > H_d$	$1/2H < H_d \leq H$	-	≥ 8	-	≥ 80	≥ 40
-	$H_d > H$	Prohibited					



CLEARANCES

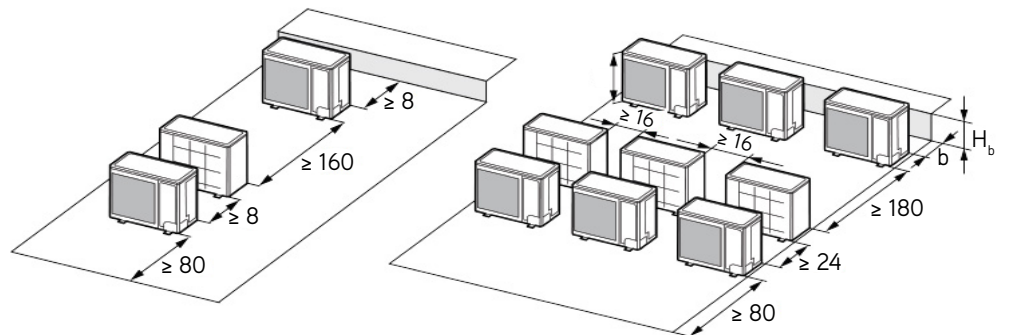
2. When two or more outdoor units are to be installed side by side.

A - E	H_b H_d H	(in)				
		a	b	c	d	e
A, B, C	-	≥ 12	≥ 12	≥ 40	-	-
A, B, C, E	-	≥ 12	≥ 12	≥ 40	-	≥ 40
D	-	-	-	-	≥ 80	-
D, E	-	-	-	-	≥ 80	≥ 40
B, D	$H_b < H_d$	$H_d > H$	-	≥ 12	-	≥ 80
	$H_b > H_d$	$H_d \leq 1/2H$	-	≥ 10	-	≥ 80
B, D, E	$H_b > H_d$	$1/2H < H_b \leq H$	-	≥ 12	-	≥ 100
		$H_b \leq 1/2H$	-	≥ 12	-	≥ 80
	$H_b < H_d$	$1/2H < H_b \leq H$	-	≥ 12	-	≥ 100
		$H_b > H$	Prohibited			
	$H_b > H_d$	$H_d \leq 1/2H$	-	≥ 10	-	≥ 100
		$1/2H < H_b \leq H$	-	≥ 12	-	≥ 100
	$H_d > H$	Prohibited				

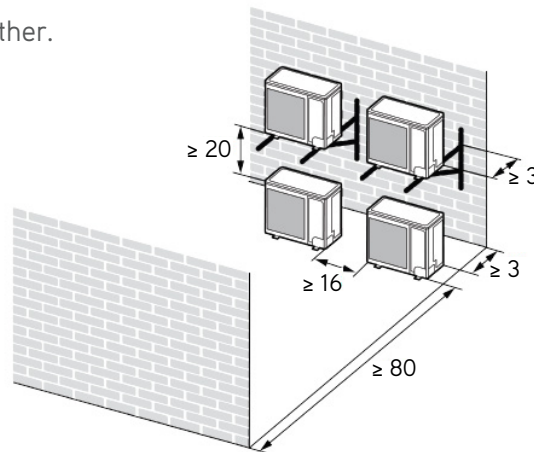


3. When outdoor units are installed in rows.

H_b H_d	(in)
$H_b \leq 1/2H$	$b \leq 10$
$1/2H < H_b \leq H$	$b \leq 12$
$H_b > H_d$	Prohibited



4. When outdoor units are installed one above another.



Specifications are subject to change without notice. Manufacturer reserves the right to discontinue or modify specifications or designs without notice or without incurring obligations. All Rights reserved.