

SUBMITTAL DATA

ENVBR60HPJ1IB / ENVBR60HPJ10A
60000 BTU/H Unitary Heat Pump Split System

Job Name

Location

Date

Purchaser

Engineer

Submitted to

For

Unit Designation

Schedule No.



ENVBR60HPJ1IB



ENVBR60HPJ10A

GENERAL FEATURES

- AHRI Certificate: [208130267](#)
- High Efficiency DC Inverter Technology
- 24VAC Thermostat Compatible
- Zero Lot Line Design
- Match with ENERMAXX or Competitive Indoor Unit
- 8 Speed Fan Motor
- Designed for New Construction or Replacement Market
- Compact and Quiet, as low as 58 dB(A) Side Discharge Outdoor Unit
- Low Ambient Cooling down to -15°C (5°F)
- Low Ambient Heating down to -30°C (-22°F)
- Coil (Outdoor) Copper Tube/Aluminum Fin with Anti-Corrosion Coil Coating (Gold Colored Fin - 1500Hr Salt Spray Rating)
- Coil (Indoor) Copper Tube/Aluminum Fin with Anti-Corrosion Coil Coating (Blue Colored Fin - 500Hr Salt Spray Rating)

SPECIFICATIONS, FEATURES & FUNCTION SUMMARY

SPECIFICATIONS ENVBR60HPJ1IB / ENVBR60HPJ10A

System Type HEAT PUMP

SYSTEM PERFORMANCE

Cooling	Min - Max	Btu/h	35000 - 54000
	Capacity @95°F	Btu/h	54000
Heating	Min - Max	Btu/h	35000 - 60000
	Capacity @5°F	Btu/h	41000
	Capacity @17°F	Btu/h	36000
	Capacity @47°F	W	54000
SEER2			16
EER2			10
HSPF2			9
COP @5°F			1.8
COP @47°F			3.5
Cooling Temperature Range	°F		5 - 129
Heating Temperature Range	°F		-22 - 75
Refrigerant Type			R410A

INDOOR UNIT ENVBR60HPJ1IB

Power Supply	VAC	208-230V / 1Ph / 60 Hz
Sound Pressure Level	dB(A)	51
Control Voltage	VAC	24
Rated Current Cooling	A	5
Rated Current Heating	A	5
MCA	A	8
MOCP	A	15
Electric Heater (Optional)	kW	10, 15, 20
Air Flow	CFM	1600
External Static Pressure (Up to)	In W.c.	1
Dehumidification	pt/hr	12.13
External Dimensions (W x H x D)	in	24-3/4 x 57 x 21-1/4
Package Dimension (W x H x D)	in	27-5/16 x 59-3/8 x 26
Net Weight	lbs	202
Gross Weight	lbs	218

OUTDOOR UNIT ENVBR60HPJ10A

Power Supply	VAC	208-230V / 1Ph / 60 Hz
Sound Pressure Level	dB(A)	58
Control Voltage	VAC	24
Rated Current Cooling	A	30
Rated Current Heating	A	31
MCA	A	35
MOCP	A	45
External Dimensions (W x H x D)	in	39-3/8 x 53-5/8 x 14-1/2
Package Dimension (W x H x D)	in	45-7/16 x 59-1/4 x 19-7/16
Net Weight	lbs	308
Gross Weight	lbs	337
Refrigerant Charge - R410A	oz	220.5
Additional Charge	oz/ft	0.32

REFRIGERANT PIPING

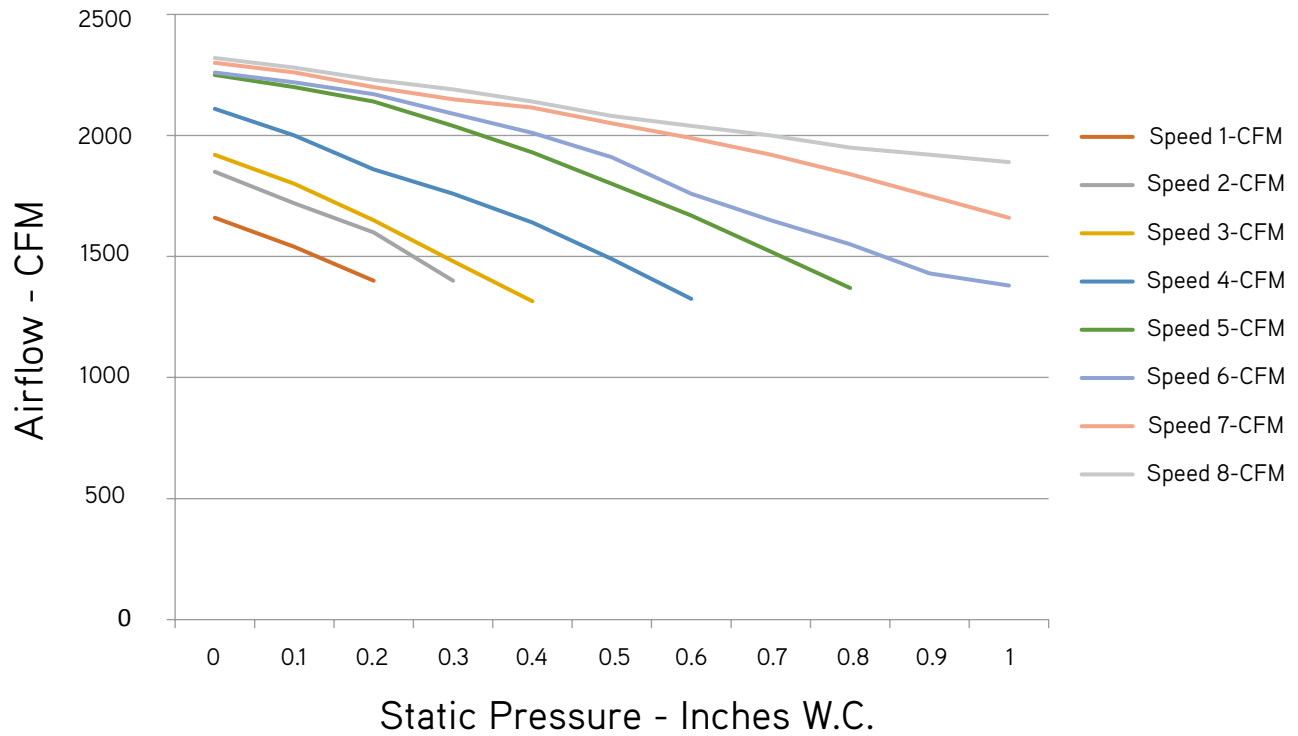
Line Set Size (Liquid - Gas) - Flared Connections	in	3/8 - 3/4
Pre-Charge Length	ft	31
Pipe Length (Min - Max)	ft	10 - 100
Max. Pipe Elevation	ft	50

FEATURES & FUNCTIONS SUMMARY ENVBR60HPJ1IB / ENVBR60HPJ10A

SYSTEM FEATURES

Compressor	Inverter
Ultra Low Frequency Torque Control	Yes
Power Factor Correction	Yes
Compressor Type	Rotary
Refrigerant Type	R410A
Outdoor Electronic Expansion Valve (EEV)	Yes
Indoor TXV Control	Yes
Basepan With Electric Heater	Yes
Compressor With Electric Heater	Yes
Fin Coating (Outdoor - Golden & Indoor - Blue)	Acrylic Resin
Intelligent Defrosting	Yes
Intelligent Preheating	Yes
Low Voltage Startup	Yes
Memory/Power Failure Recovery	Yes
Self Diagnosis	Yes
Low Ambient Cooling	Yes
24VAC Thermostat Compatible	Yes
Indoor Fan Type	Centrifugal
Multi Fan Speeds	8
Auxiliary Electrical Heater	Optional

FAN PERFORMANCE



STATIC PRESSURE Inches W.C.	0	0.1	0.15	0.2	0.3	0.4	0.5	0.6	0.7	0.8	0.9	1.0
Speed 1 - CFM	1660	1540	1470	1400								
Speed 2 - CFM	1850	1720	1650	1600	1400							
Speed 3 - CFM	1920	1800	1730	1650	1480	1315						
Speed 4 - CFM	2110	2000	1950	1860	1760	1640	1490	1325				
Speed 5 - CFM	2250	2200	2190	2140	2040	1930	1800	1670	1520	1370		
Speed 6 - CFM	2260	2220	2200	2170	2090	2010	1910	1760	1650	1550	1430	1380
Speed 7 - CFM	2300	2260	2230	2200	2150	2115	2050	1990	1920	1840	1750	1660
Speed 8 - CFM	2320	2280	2250	2230	2190	2140	2080	2040	2000	1950	1920	1890

NOTE:

1. Above chart CFM ratings are based on dry coil with factory filter installed.
2. For wet coil CFM ratings, multiply the CFM by 0.96 correction factor.

DIMENSIONS

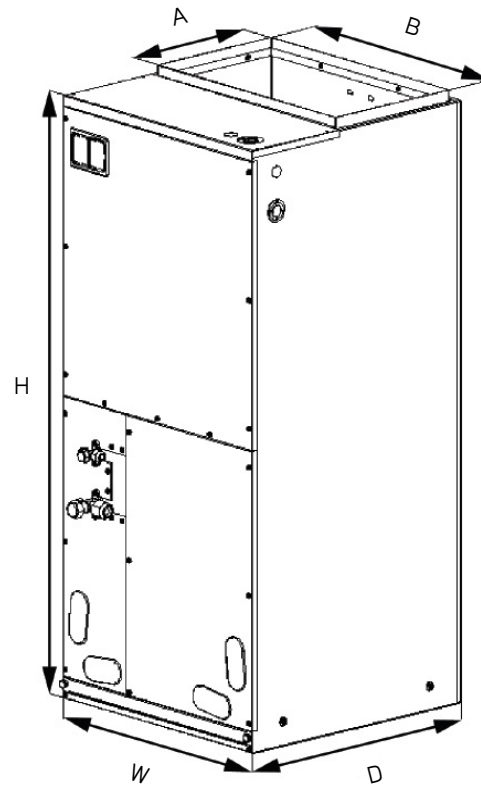
INDOOR UNIT

Unit: inch

ENVBR60HPJ1B	
DIMENSIONS	
A	11-5/8
B	20
H	57
W	24-3/4
D	21-1/4

FILTER SIZE	
Supplied*	20-5/8 x 20-5/16 x 1/2
Suggested	20-5/8 x 20-5/16 x 1

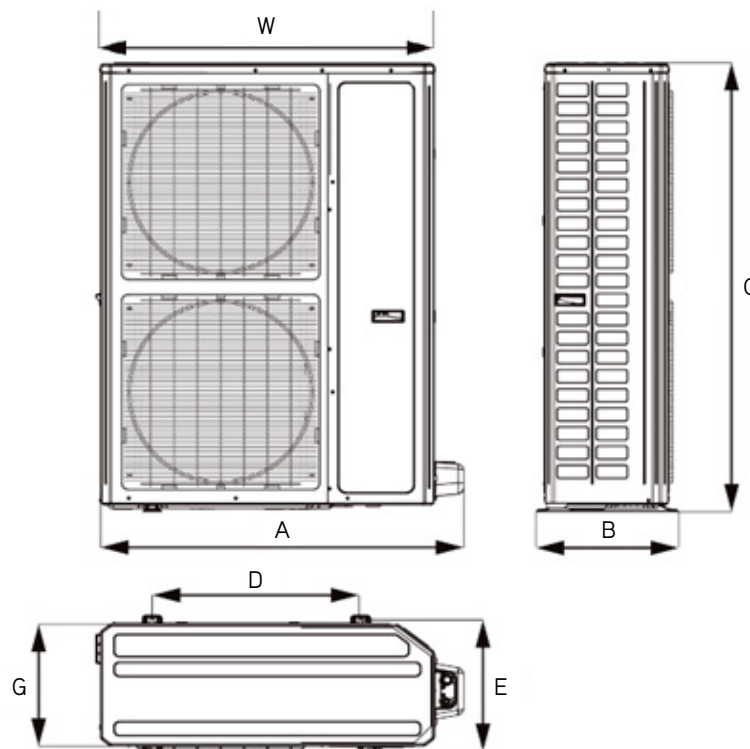
*Supplied filter is metal mesh



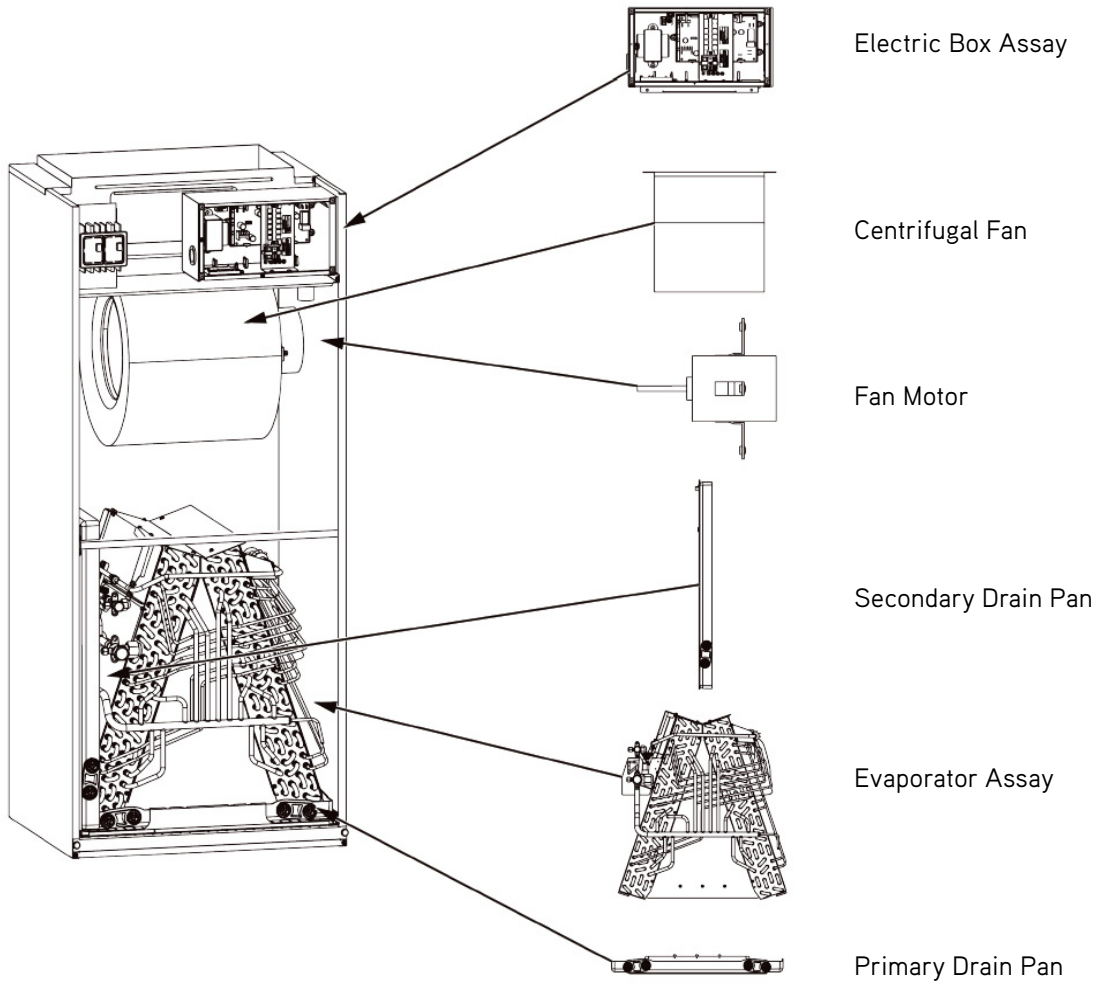
OUTDOOR UNIT

Unit: inch

ENVBR60HPJ10A	
DIMENSIONS	
A	42-3/4
B	16-7/8
C	53-5/8
D	24-3/8
E	15-5/8
G	14-1/2
W	39-3/8



ACCESSORY HEATER AND GENERAL INFORMATION



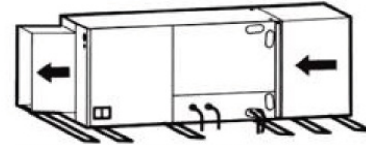
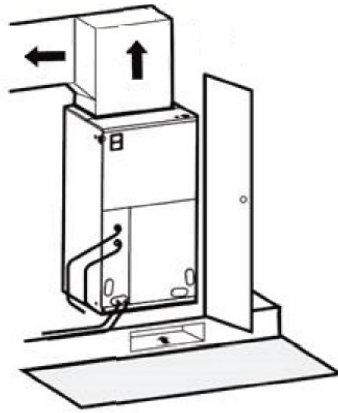
MODEL	Heat Kit Model	Electric Heat (kW)		Min. Circuit		Max. Fuse or Breaker	
		240V	208V	240V	208V	240V	208V
ENVBR60HPJ11B	FLEXXHTR10KW	10	7.51	52	45	60	45
	FLEXXHTR15KW	15	11.25	52 & 26	45 & 22.6	60 & 30	45 & 25
	FLEXXHTR20KW	20	15.02	52 & 52	45 & 45	60 & 60	45 & 45
	21-4216-01	10	7.51	52	45	60	45
	21-4217-00	15	11.25	52 & 26	45 & 22.6	60 & 30	45 & 25
	21-4228-00	20	15.02	52 & 52	45 & 45	60 & 60	45 & 45

CLEARANCES

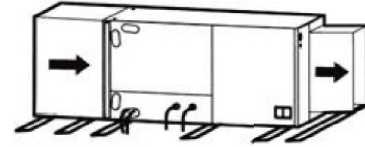
INDOOR UNIT

Minimum clearance

FRONT > 24



Horizontal Left Configuration - No Modification Needed



Horizontal Right Configuration - Must Relocate Drain Pan

NOTE:

Allow a minimum of 24" in front of the unit for service clearance. When installing in an area directly over a finished ceiling (such as an attic), an emergency drain pan is required directly under the unit. **See local and state codes for requirements.** When installing this unit in an area that may become wet, elevate the unit with a sturdy, non-porous material. In installations that may lead to physical damage (i.e. a garage) it is advised to install a protective barrier to prevent such damage. This air handler is designed for a complete supply and return ductwork system.

OUTDOOR UNIT

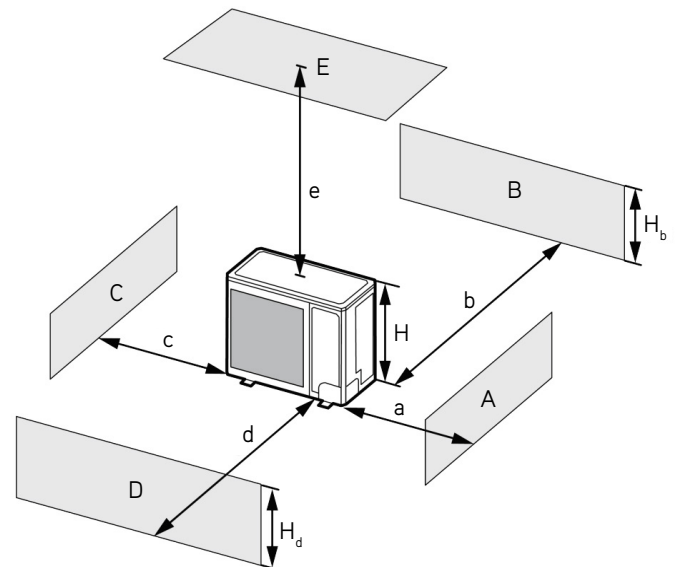
Minimum clearance

NOTE:

Install the Outdoor Unit **2 Inches Above the Expected Snow Line**

1. When one outdoor unit is to be installed.

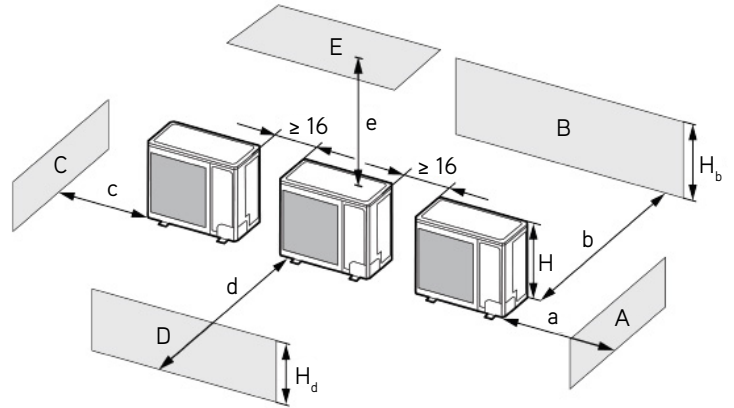
A - E	H_b H_d H		(in)				
			a	b	c	d	e
B	-	-	-	≥ 4	-	-	-
A, B, C	-	-	≥ 12	≥ 4	≥ 4	-	-
B, E	-	-	-	≥ 4	-	-	≥ 40
A, B, C, E	-	-	≥ 12	≥ 6	≥ 6	-	≥ 40
D	-	-	-	-	-	≥ 40	-
D, E	-	-	-	-	-	≥ 40	≥ 40
B, D	$H_b < H_d$	$H_d < H$	-	≥ 4	-	≥ 40	-
	$H_b > H_d$	$H_d > H$	-	≥ 4	-	≥ 40	-
B, D, E	$H_b < H_d$	$H_b \leq 1/2H$	-	≥ 10	-	≥ 80	≥ 40
		$1/2H < H_b \leq H$	-	≥ 10	-	≥ 80	≥ 40
	$H_b > H_d$	$H_b > H$	Prohibited				
		$H_b \leq 1/2H$	-	≥ 4	-	≥ 80	≥ 40
		$1/2H < H_b \leq H$	-	≥ 8	-	≥ 80	≥ 40
	$H_b > H$	Prohibited					



CLEARANCES

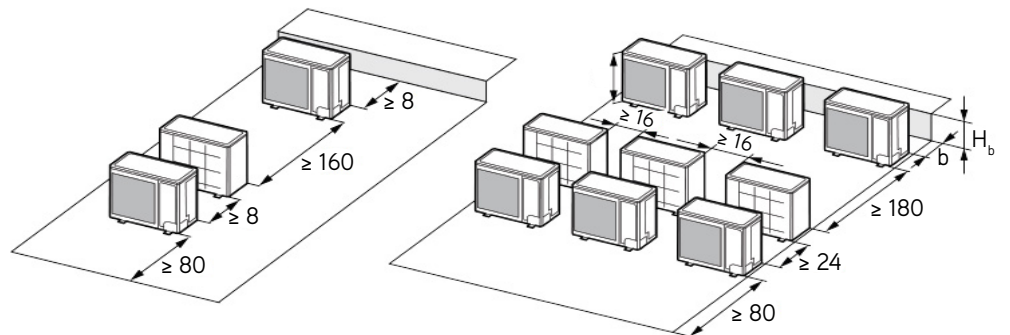
2. When two or more outdoor units are to be installed side by side.

A - E	H_b H_d H	(in)				
		a	b	c	d	e
A, B, C	-	≥ 12	≥ 12	≥ 40	-	-
A, B, C, E	-	≥ 12	≥ 12	≥ 40	-	≥ 40
D	-	-	-	-	≥ 80	-
D, E	-	-	-	-	≥ 80	≥ 40
B, D	$H_b < H_d$	$H_d > H$	-	≥ 12	-	≥ 80
	$H_b > H_d$	$H_d \leq 1/2H$	-	≥ 10	-	≥ 80
B, D, E	$H_b > H_d$	$1/2H < H_b \leq H$	-	≥ 12	-	≥ 100
		$H_b \leq 1/2H$	-	≥ 12	-	≥ 80
	$H_b < H_d$	$1/2H < H_b \leq H$	-	≥ 12	-	≥ 100
		$H_b > H$	Prohibited			
	$H_b > H_d$	$H_d \leq 1/2H$	-	≥ 10	-	≥ 100
		$1/2H < H_b \leq H$	-	≥ 12	-	≥ 100
	$H_d > H$	Prohibited				

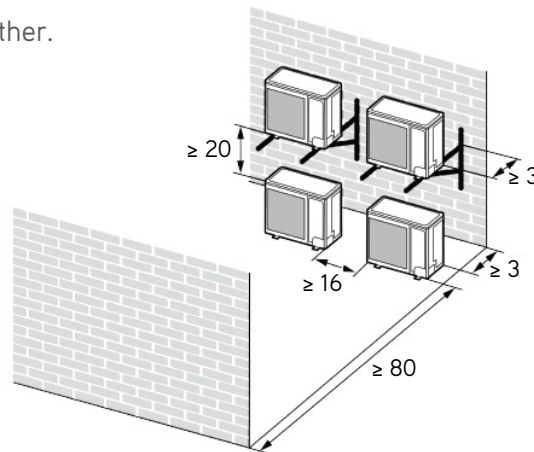


3. When outdoor units are installed in rows.

H_b H_d	(in)
$H_b \leq 1/2H$	$b \leq 10$
$1/2H < H_b \leq H$	$b \leq 12$
$H_b > H_d$	Prohibited



4. When outdoor units are installed one above another.



Specifications are subject to change without notice. Manufacturer reserves the right to discontinue or modify specifications or designs without notice or without incurring obligations. All Rights reserved.